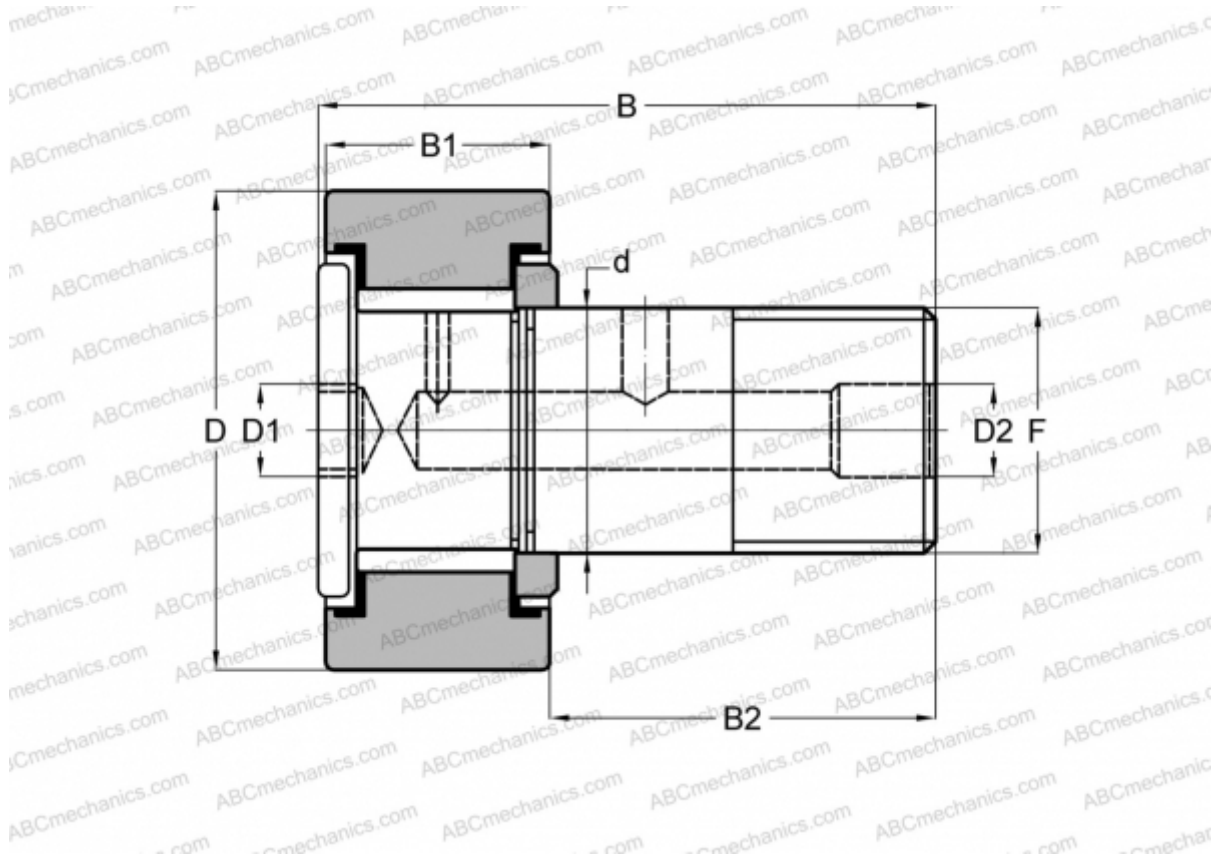


## H 64 LW RBC

Cam followers

TYPE: Roller bearings, Stud type track rollers, Heavy duty stud, hex socket, contact seals on both side, cylindrical outer ring, inch size



### Technical specification

#### DIMENSIONS, MM

d	28,575
D	50,800
D1	11,113
D2	4,763
B	83,343
B1	31,750
B2	50,800
F	1 1/8-12

#### INTERCHANGE

SMITH BEARING

[HR 2 XB](#)

#### WEIGHT, KG

0,721

#### MANUFACTURER

[RBC](#)

#### INTERCHANGE

TORRINGTON

[CRHSB 32](#)

McGill

[CFH 2 SB](#)