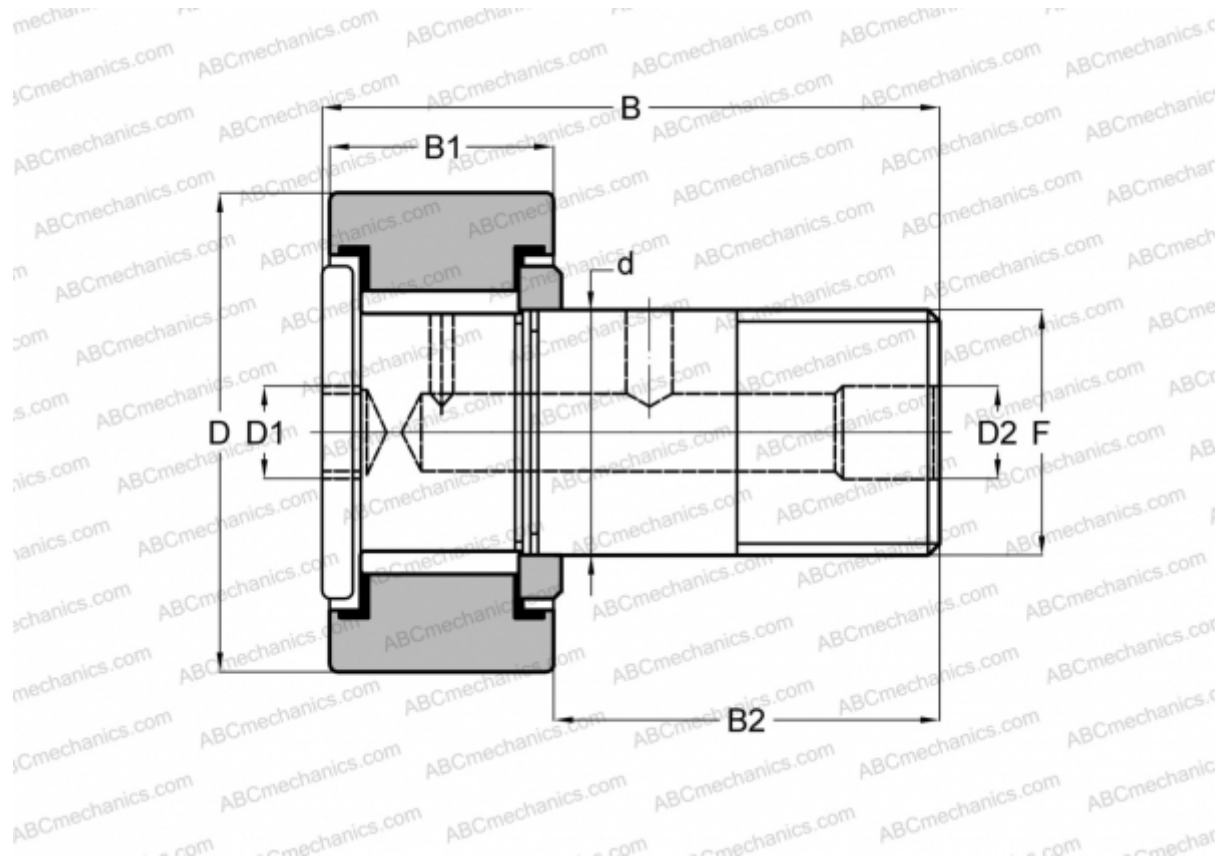


CRHSB 36 TORRINGTON

Cam followers

TYPE: Roller bearings, Stud type track rollers, Heavy duty stud, hex socket, contact seals on both side, cylindrical outer ring, inch size



Technical specification

DIMENSIONS, MM

d	28,575
D	57,150
D1	11,113
D2	4,763
B	83,343
B1	31,750
B2	50,800
F	1 1/8-12

WEIGHT, KG 0,857

MANUFACTURER [TORRINGTON](#)

INTERCHANGE

McGill	CFH 2 1/4 SB
RBC	H 72 LW

INTERCHANGE

SMITH BEARING	HR 2 1/4 XB
TORRINGTON	CRHSB 40
McGill	CFH 2 1/2 SB
RBC	H 80 LW