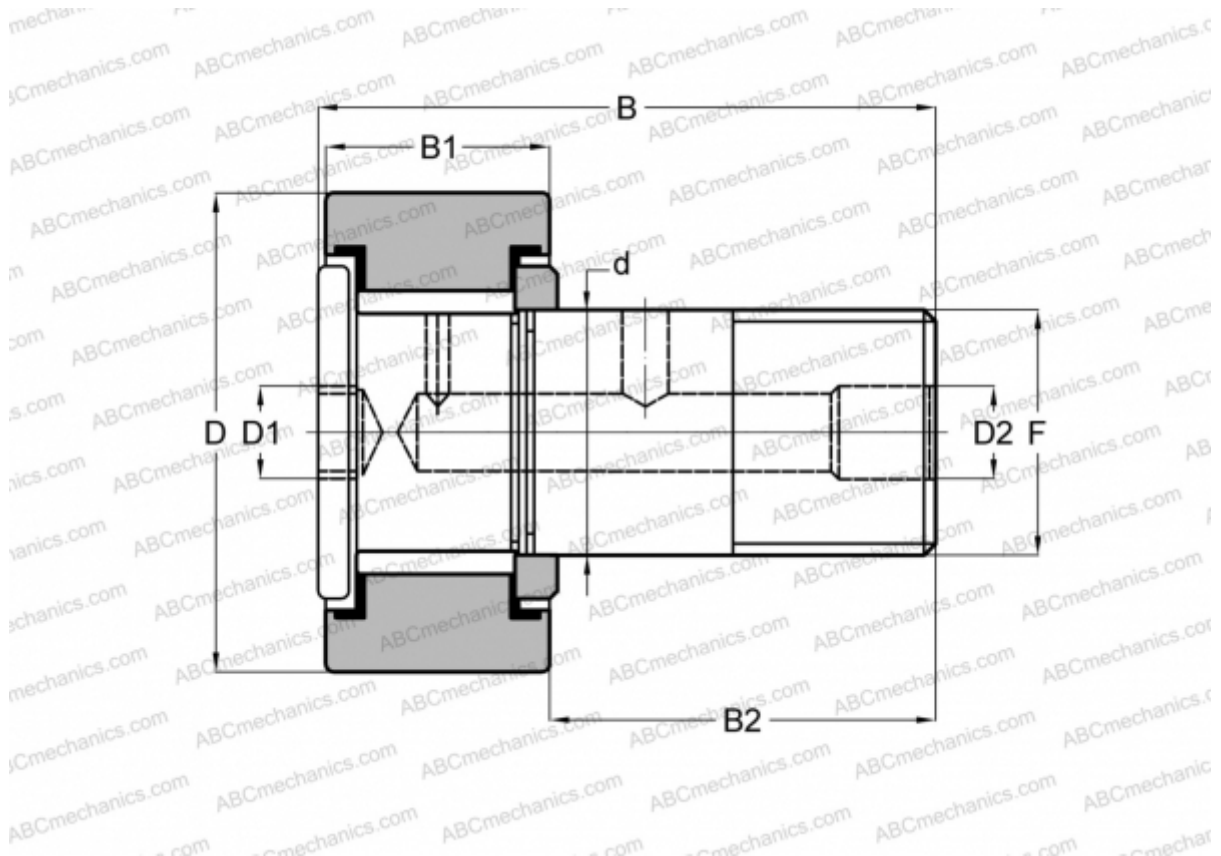


## CFH 2 1/2 SB McGill

Cam followers

TYPE: Roller bearings, Stud type track rollers, Heavy duty stud, hex socket, contact seals on both side, cylindrical outer ring, inch size



### Technical specification

#### DIMENSIONS, MM

d	31,750
D	63,500
D1	12,700
D2	4,763
B	96,043
B1	38,100
B2	57,150
F	1 1/4-12

**WEIGHT, KG** 1,247

**MANUFACTURER** [McGill](#)

#### INTERCHANGE

TORRINGTON	<a href="#">CRHSB 40</a>
SMITH BEARING	<a href="#">HR 2 1/4 XB</a>

#### INTERCHANGE

RBC	<a href="#">H 80 LW</a>
TORRINGTON	<a href="#">CRHSB 36</a>
McGill	<a href="#">CFH 2 1/4 SB</a>
RBC	<a href="#">H 72 LW</a>