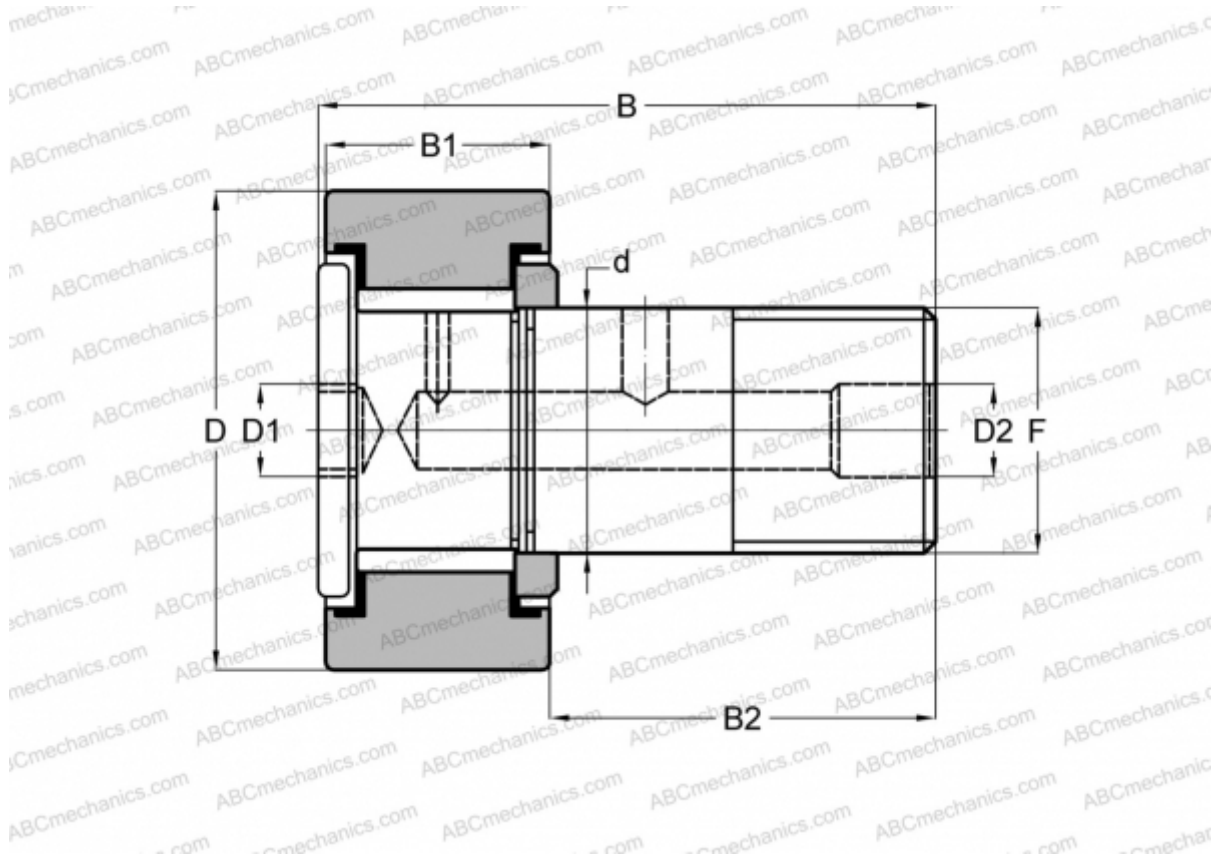


H 80 LW RBC

Cam followers

TYPE: Roller bearings, Stud type track rollers, Heavy duty stud, hex socket, contact seals on both side, cylindrical outer ring, inch size



Technical specification

DIMENSIONS, MM

d	31,750
D	63,500
D1	12,700
D2	4,763
B	96,043
B1	38,100
B2	57,150
F	1 1/4-12

WEIGHT, KG 1,247

MANUFACTURER [RBC](#)

INTERCHANGE

TORRINGTON	CRHSB 40
SMITH BEARING	HR 2 1/4 XB

INTERCHANGE

McGill	CFH 2 1/2 SB
TORRINGTON	CRHSB 36
McGill	CFH 2 1/4 SB
RBC	H 72 LW