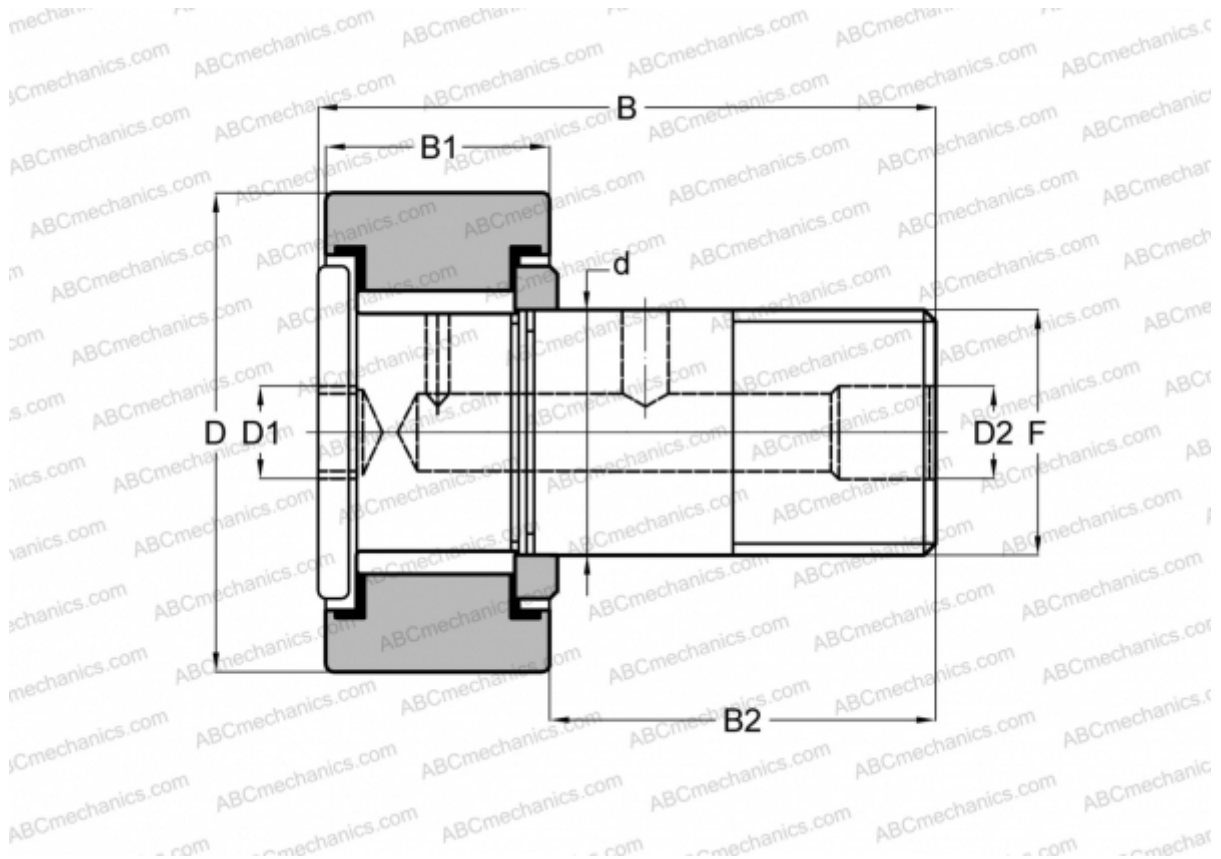


## CFH 2 3/4 SB McGill

Cam followers

TYPE: Roller bearings, Stud type track rollers, Heavy duty stud, hex socket, contact seals on both side, cylindrical outer ring, inch size



### Technical specification

#### DIMENSIONS, MM

d	31,750
D	69,850
D1	12,700
D2	4,763
B	96,043
B1	38,100
B2	57,150
F	1 1/4-12

**WEIGHT, KG** 1,447

**MANUFACTURER** [McGill](#)

#### INTERCHANGE

TORRINGTON	<a href="#">CRHSB 44</a>
RBC	<a href="#">H 88 LW</a>

#### INTERCHANGE

SMITH BEARING [HR 2 3/4 XB](#)