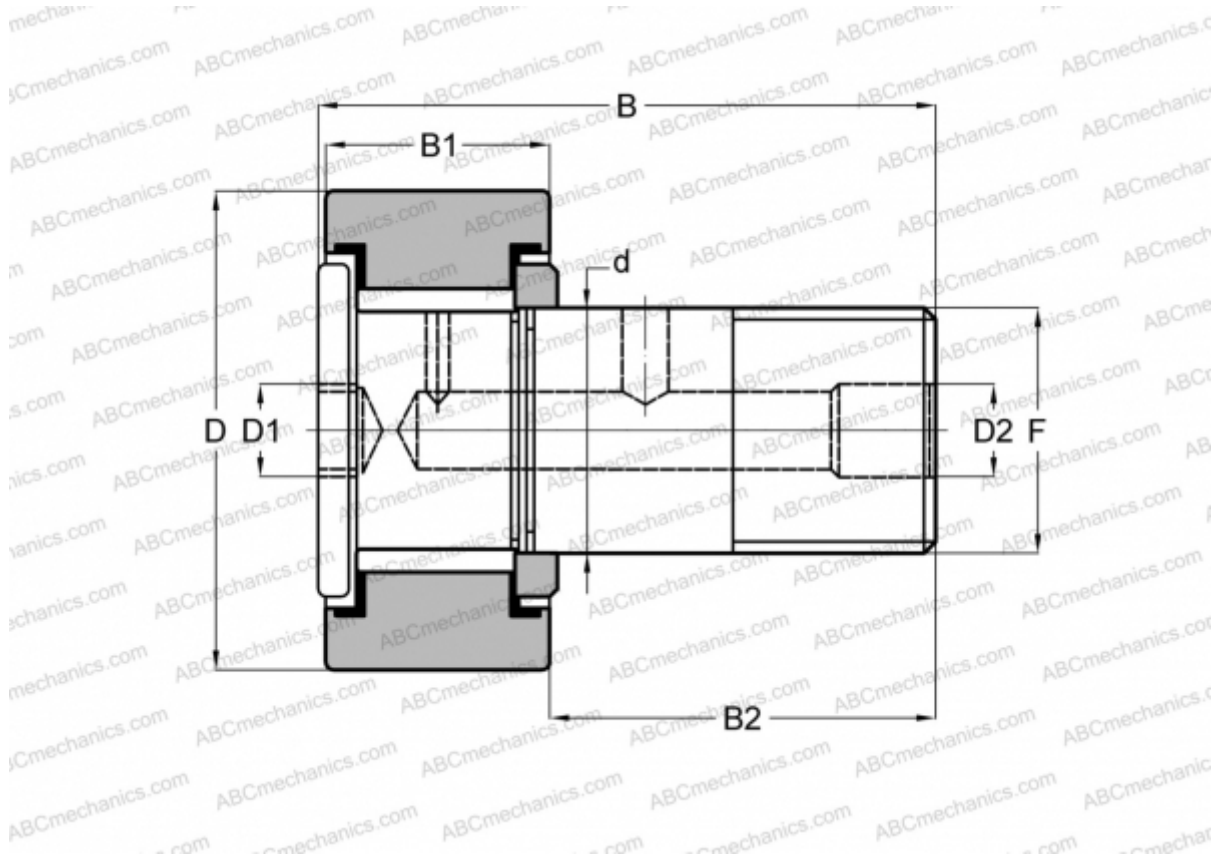


## H 88 LW RBC

Cam followers

TYPE: Roller bearings, Stud type track rollers, Heavy duty stud, hex socket, contact seals on both side, cylindrical outer ring, inch size



### Technical specification

#### DIMENSIONS, MM

d	31,750
D	69,850
D1	12,700
D2	4,763
B	96,043
B1	38,100
B2	57,150
F	1 1/4-12

#### INTERCHANGE

SMITH BEARING

[HR 2 3/4 XB](#)

#### WEIGHT, KG

1,447

#### MANUFACTURER

[RBC](#)

#### INTERCHANGE

TORRINGTON

[CRHSB 44](#)

McGill

[CFH 2 3/4 SB](#)