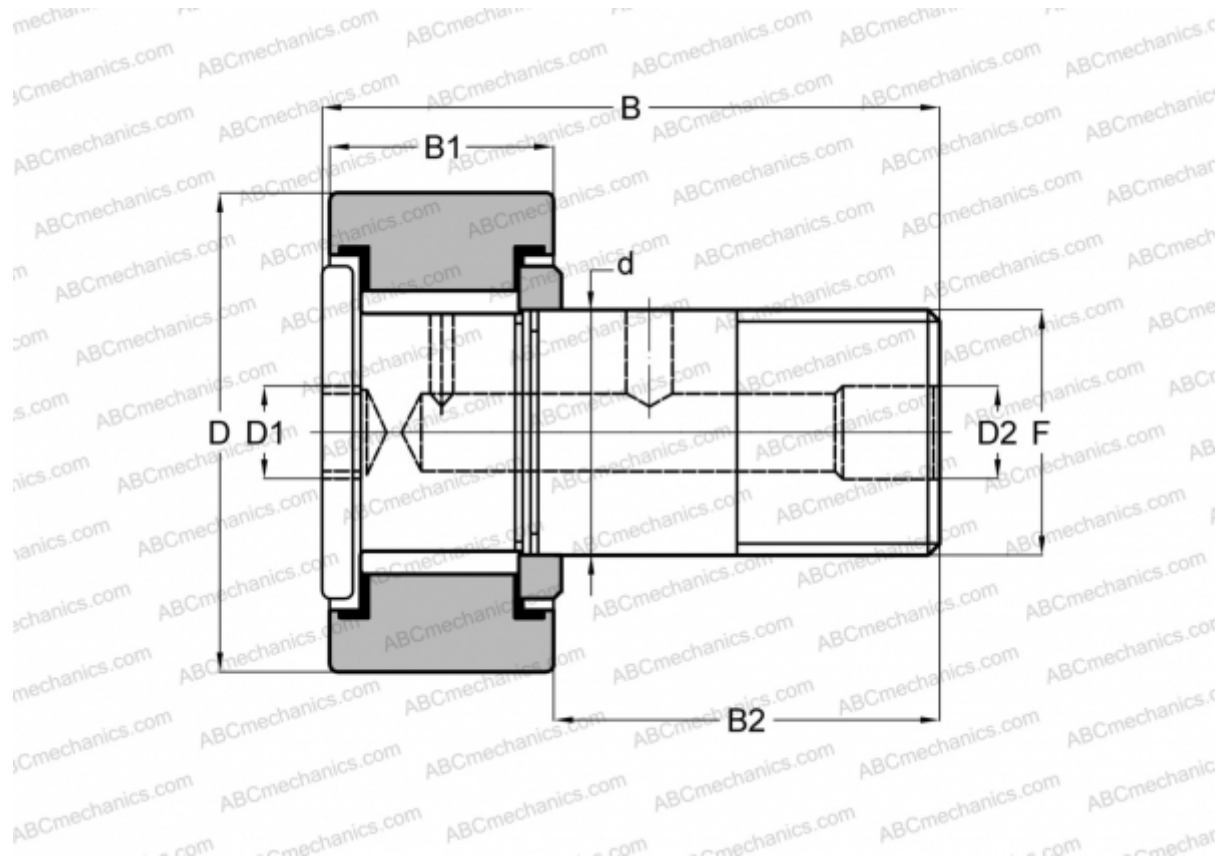


HR 3 XB SMITH BEARING

Cam followers

TYPE: Roller bearings, Stud type track rollers, Heavy duty stud, hex socket, contact seals on both side, cylindrical outer ring, inch size



Technical specification

DIMENSIONS, MM

d	38,100
D	76,200
D1	15,875
D2	6,350
B	108,742
B1	44,450
B2	63,500
F	1 1/2-12

INTERCHANGE

RBC	H 96 LW
-----	-------------------------

WEIGHT, KG 2,068

MANUFACTURER [SMITH BEARING](#)

INTERCHANGE

TORRINGTON	CRHSB 48
McGill	CFH 3 SB