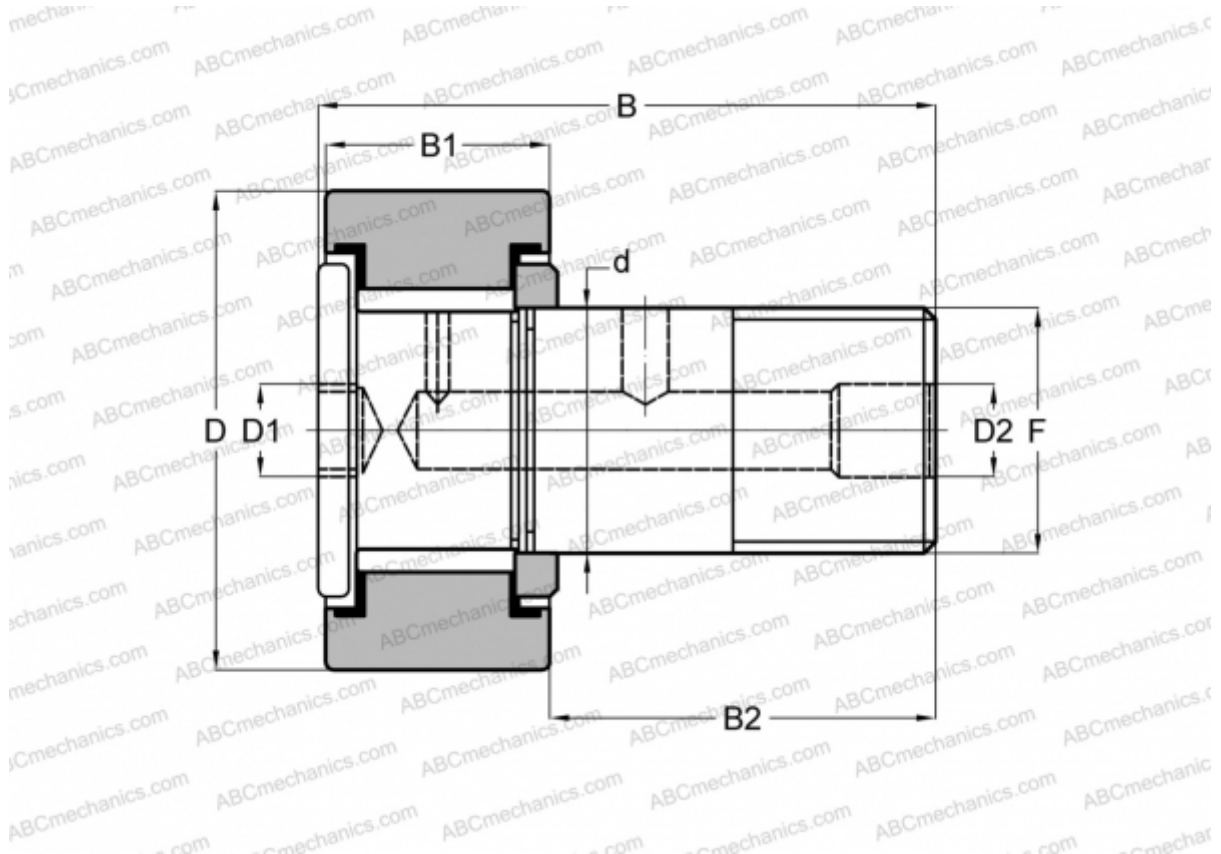


H 104 LW RBC

Cam followers

TYPE: Roller bearings, Stud type track rollers, Heavy duty stud, hex socket, contact seals on both side, cylindrical outer ring, inch size



Technical specification

DIMENSIONS, MM

d	38,100
D	82,550
D1	15,875
D2	6,350
B	108,742
B1	44,450
B2	63,500
F	1 1/2-12

INTERCHANGE

SMITH BEARING

[HR 3 1/4 XB](#)

WEIGHT, KG

2,354

MANUFACTURER

[RBC](#)

INTERCHANGE

TORRINGTON

[CRHSB 52](#)

McGill

[CFH 3 1/4 SB](#)