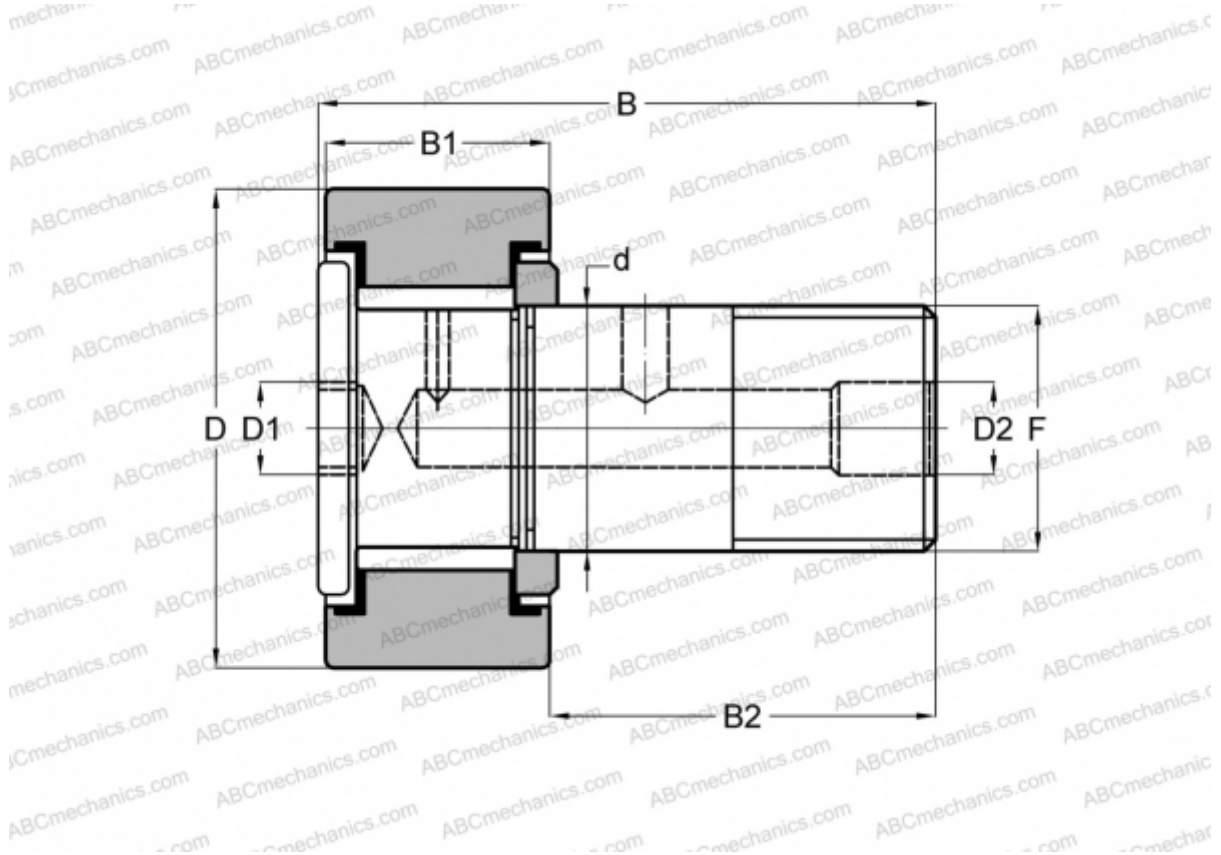


HR 3 1/4 XB SMITH BEARING

Cam followers

TYPE: Roller bearings, Stud type track rollers, Heavy duty stud, hex socket, contact seals on both side, cylindrical outer ring, inch size



Technical specification

DIMENSIONS, MM

d	38,100
D	82,550
D1	15,875
D2	6,350
B	108,742
B1	44,450
B2	63,500
F	1 1/2-12

INTERCHANGE

RBC	H 104 LW
-----	--------------------------

WEIGHT, KG 2,354

MANUFACTURER [SMITH BEARING](#)

INTERCHANGE
 TORRINGTON [CRHSB 52](#)
 McGill [CFH 3 1/4 SB](#)