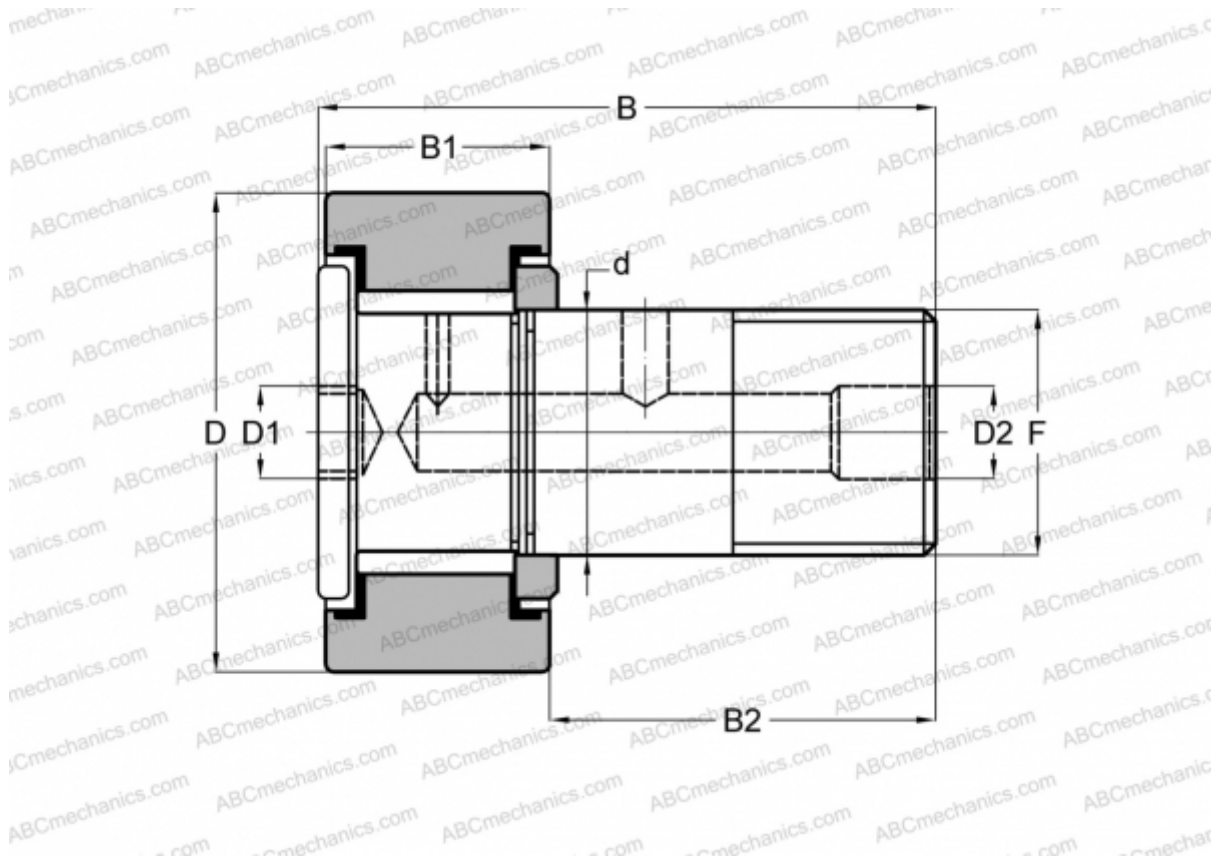


H 112 LW RBC

Cam followers

TYPE: Roller bearings, Stud type track rollers, Heavy duty stud, hex socket, contact seals on both side, cylindrical outer ring, inch size



Technical specification

DIMENSIONS, MM

d	44,450
D	88,900
D1	19,050
D2	6,350
B	121,442
B1	50,800
B2	69,850
F	1 3/4-12

WEIGHT, KG 3,180

MANUFACTURER [RBC](#)

INTERCHANGE

TORRINGTON [CRHSB 56](#)

McGill [CFH 3 1/2 SB](#)