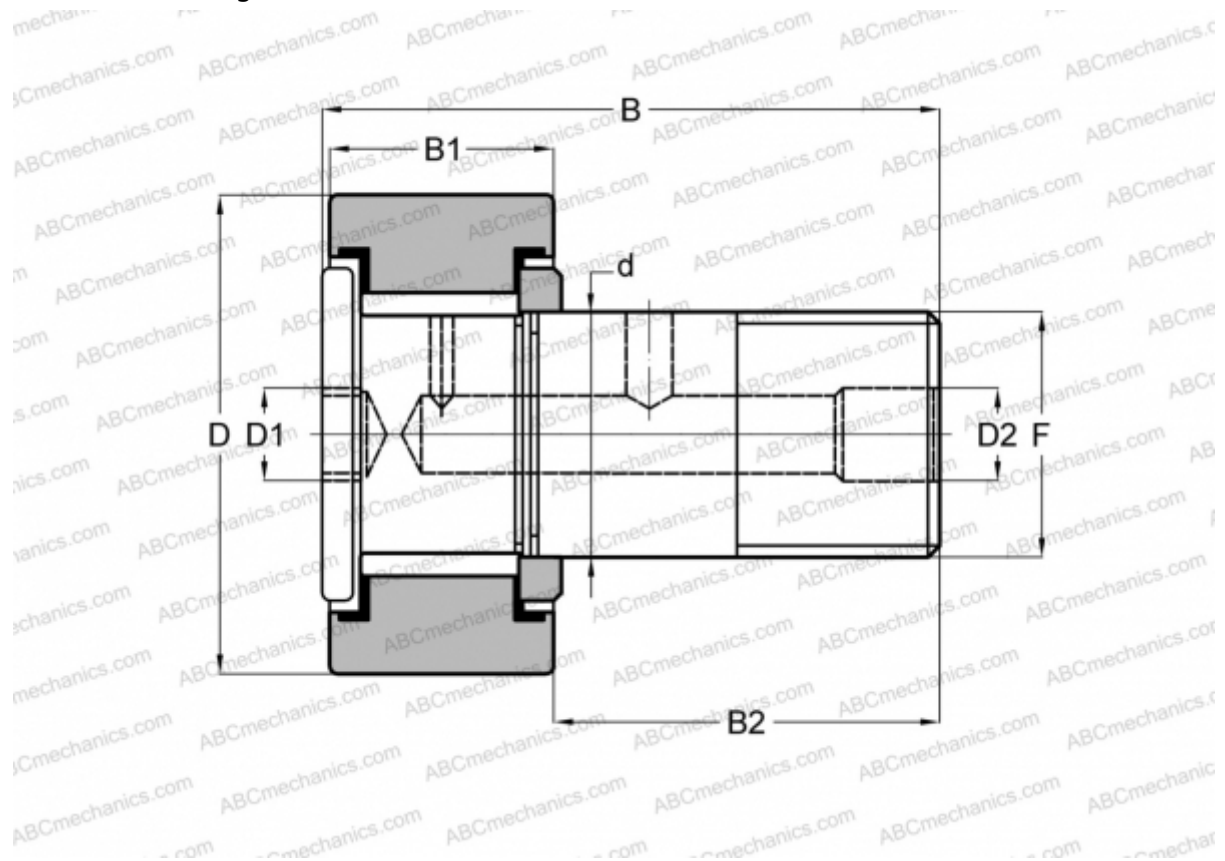


## H 128 LW RBC

Cam followers

TYPE: Roller bearings, Stud type track rollers, Heavy duty stud, hex socket, contact seals on both side, cylindrical outer ring, inch size



### Technical specification

#### DIMENSIONS, MM

d	50,800
D	101,600
D1	19,050
D2	6,350
B	146,842
B1	57,150
B2	88,900
F	2-12

**WEIGHT, KG** 4,912

**MANUFACTURER** [RBC](#)

#### INTERCHANGE

TORRINGTON [CRHSB 64](#)  
 McGill [CFH 4 SB](#)