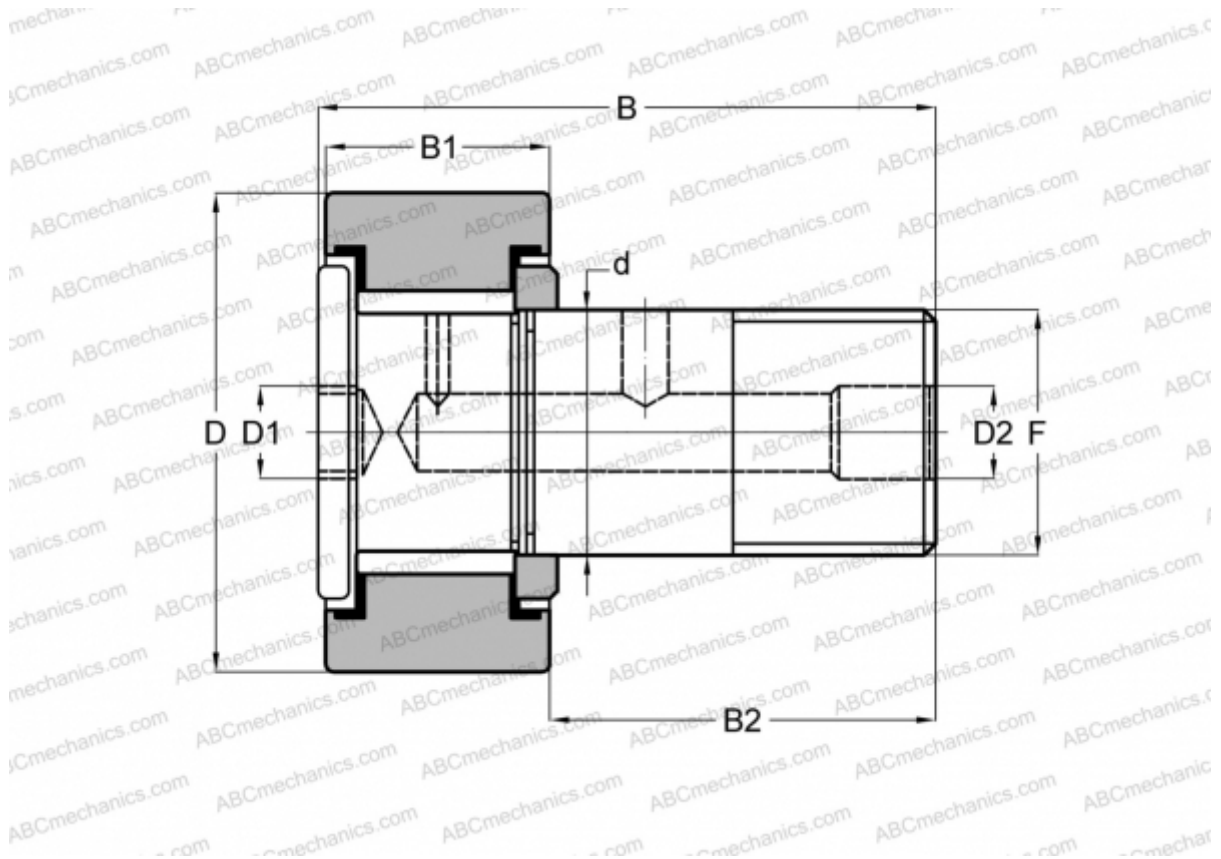


CRHSB 80 TORRINGTON

Cam followers

TYPE: Roller bearings, Stud type track rollers, Heavy duty stud, hex socket, contact seals on both side, cylindrical outer ring, inch size



Technical specification

DIMENSIONS, MM

d	63,500
D	127,000
D1	22,225
D2	6,350
B	200,000
B1	69,850
B2	128,575
F	2 1/2-12

WEIGHT, KG 10,024

MANUFACTURER [TORRINGTON](#)

INTERCHANGE

McGill	CFH 5 SB
RBC	H 160