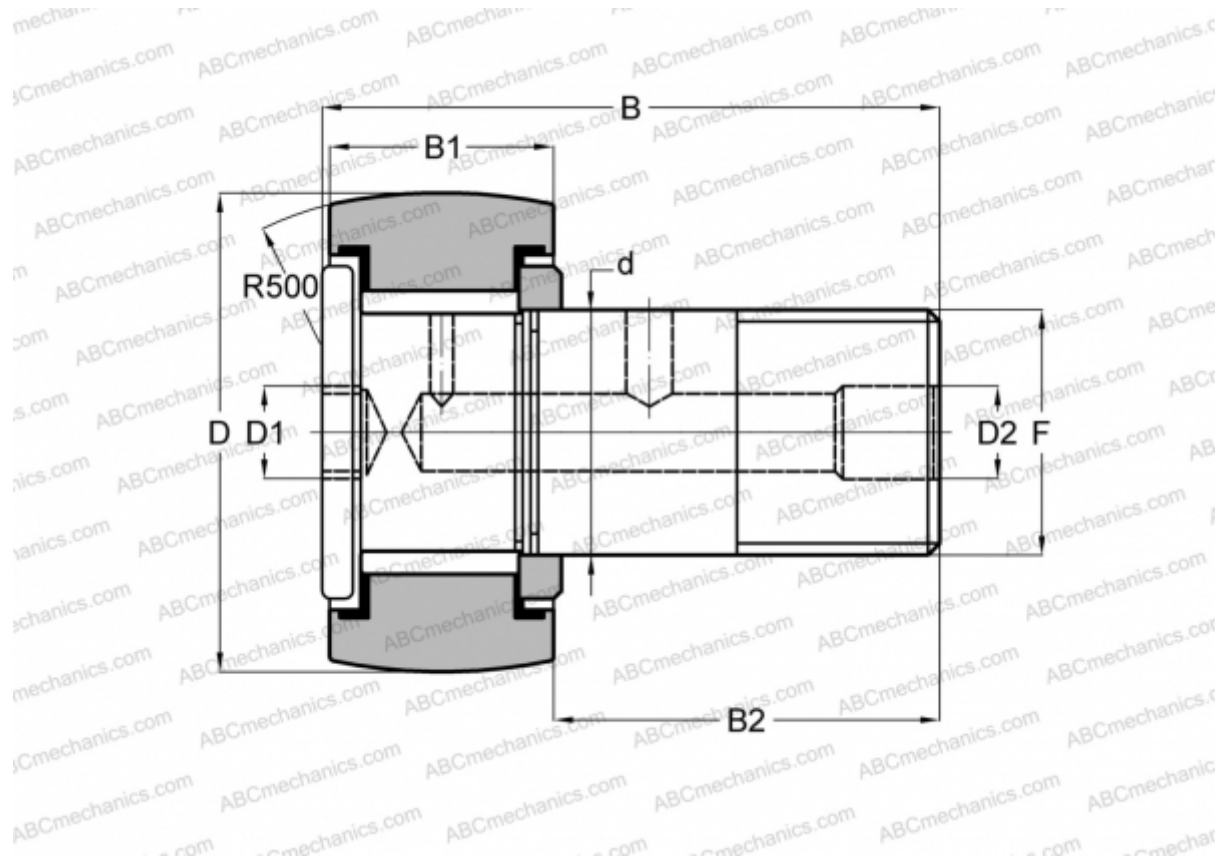


HR 1/2 XBC SMITH BEARING

Cam followers

TYPE: Roller bearings, Stud type track rollers, Heavy duty stud, hex socket, contact seals on both side, inch size



Technical specification

DIMENSIONS, MM

| | |
|----|--------|
| d | 6,350 |
| D | 12,700 |
| D1 | 3,175 |
| B | 26,193 |
| B1 | 9,525 |
| B2 | 15,875 |
| F | 1/4-28 |

WEIGHT, KG 0,014

MANUFACTURER [SMITH BEARING](#)

INTERCHANGE

| | |
|------------|-----------------------------|
| TORRINGTON | CRHSBC 8-1 |
| McGill | CCFH 1/2 SB |
| RBC | CH 16 LW |