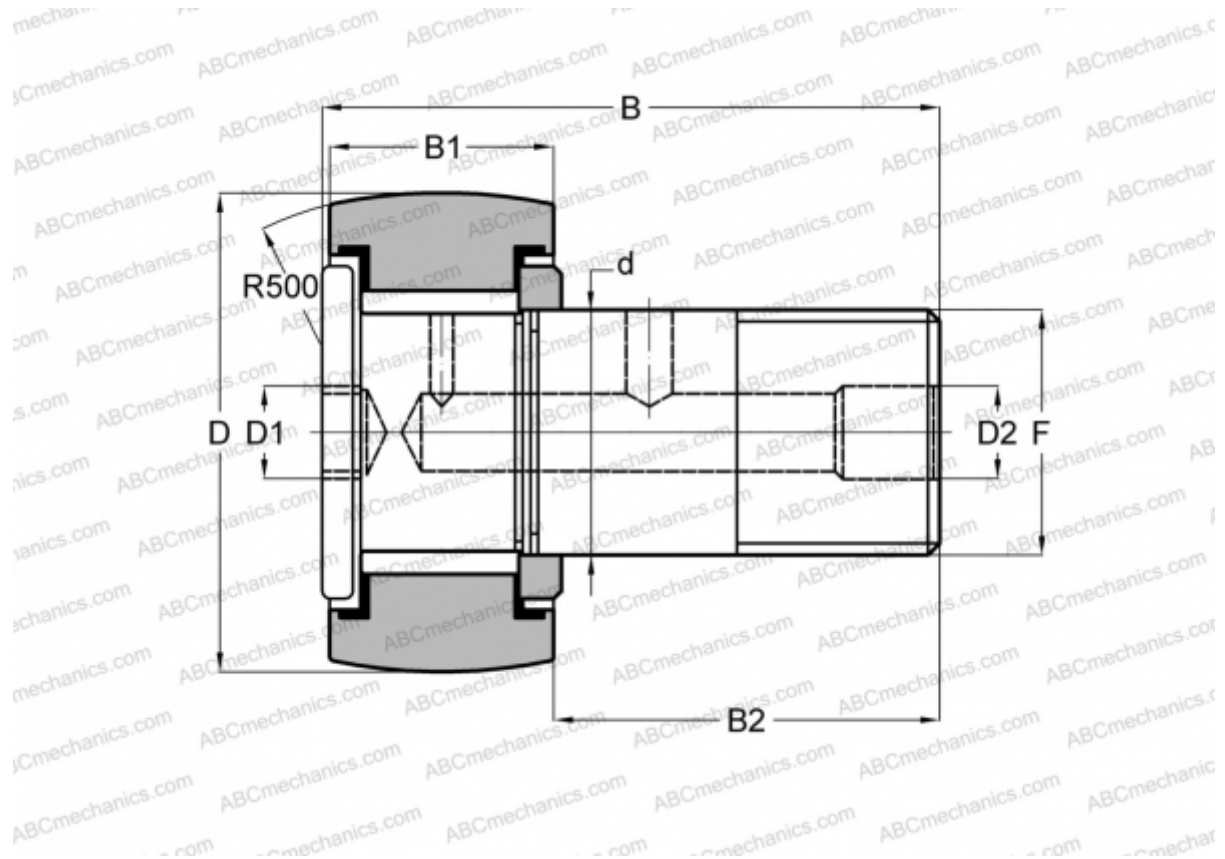


CCFH 5/8 SB McGill

Cam followers

TYPE: Roller bearings, Stud type track rollers, Heavy duty stud, hex socket, contact seals on both side, inch size



Technical specification

DIMENSIONS, MM

d	7,925
D	15,875
D1	3,175
B	30,955
B1	11,113
B2	19,050
F	5/16-24

WEIGHT, KG 0,027

MANUFACTURER [McGill](#)

INTERCHANGE

TORRINGTON	CRHSBC 10-1
RBC	CH 20 LW
SMITH BEARING	HR 5/8 XBC