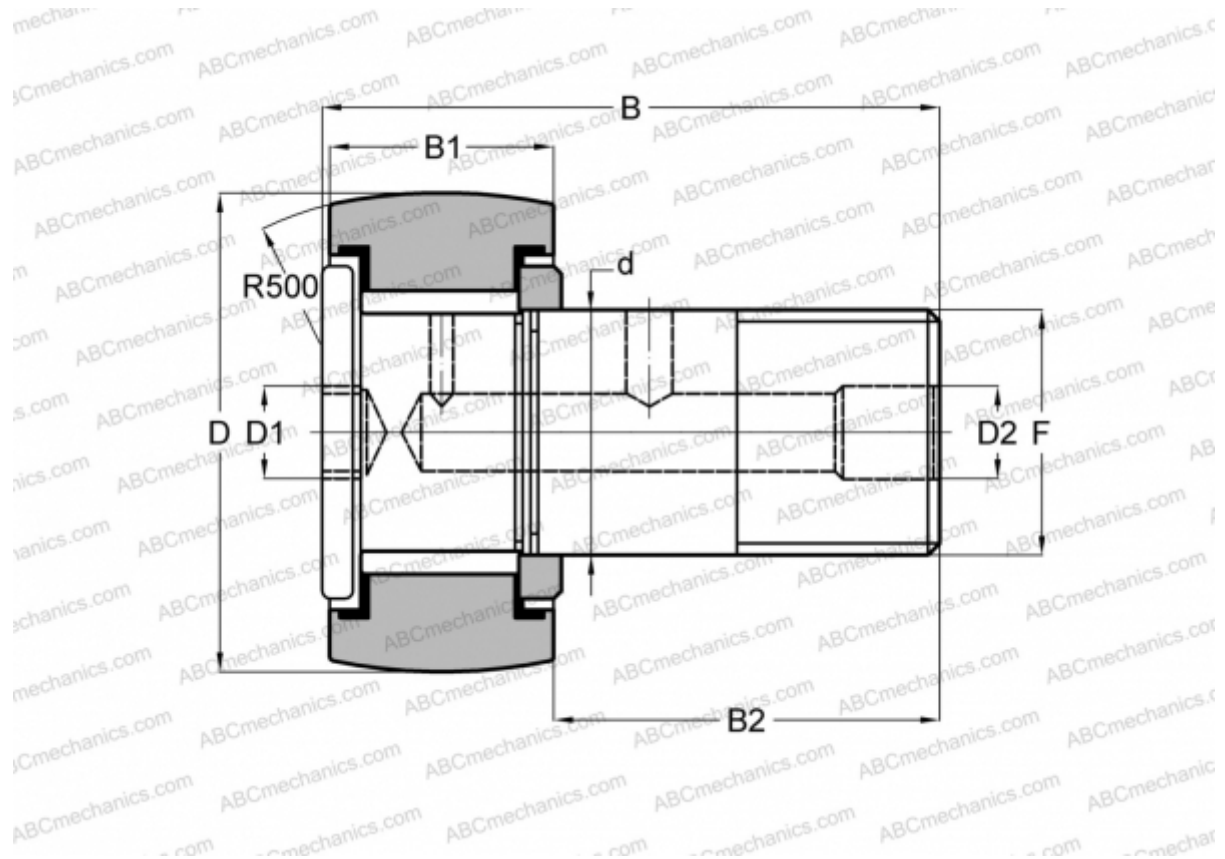


## CH 20 LW RBC

Cam followers

TYPE: Roller bearings, Stud type track rollers, Heavy duty stud, hex socket, contact seals on both side, inch size



### Technical specification

#### DIMENSIONS, MM

|    |         |
|----|---------|
| d  | 7,925   |
| D  | 15,875  |
| D1 | 3,175   |
| B  | 30,955  |
| B1 | 11,113  |
| B2 | 19,050  |
| F  | 5/16-24 |

**WEIGHT, KG** 0,027

**MANUFACTURER** [RBC](#)

#### INTERCHANGE

|               |                             |
|---------------|-----------------------------|
| TORRINGTON    | <a href="#">CRHSBC 10-1</a> |
| McGill        | <a href="#">CCFH 5/8 SB</a> |
| SMITH BEARING | <a href="#">HR 5/8 XBC</a>  |