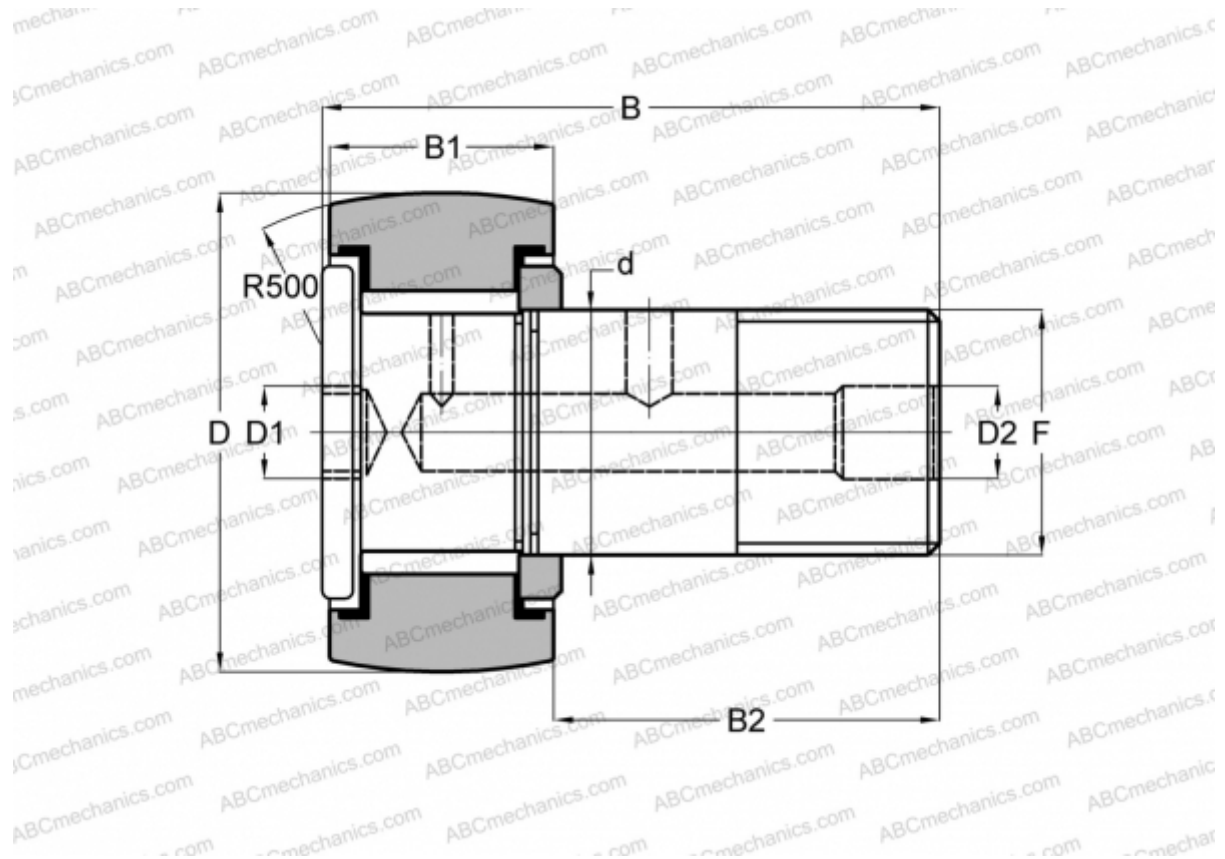


HR 3/4 XBC SMITH BEARING

Cam followers

TYPE: Roller bearings, Stud type track rollers, Heavy duty stud, hex socket, contact seals on both side, inch size



Technical specification

DIMENSIONS, MM

d	11,100
D	19,050
D1	4,763
D2	4,763
B	35,718
B1	12,700
B2	22,225
F	7/16-20

WEIGHT, KG 0,041

MANUFACTURER [SMITH BEARING](#)

INTERCHANGE

TORRINGTON [CRHSBC 12](#)
 McGill [CCFH 3/4 SB](#)

INTERCHANGE

RBC [CH 24 LW](#)