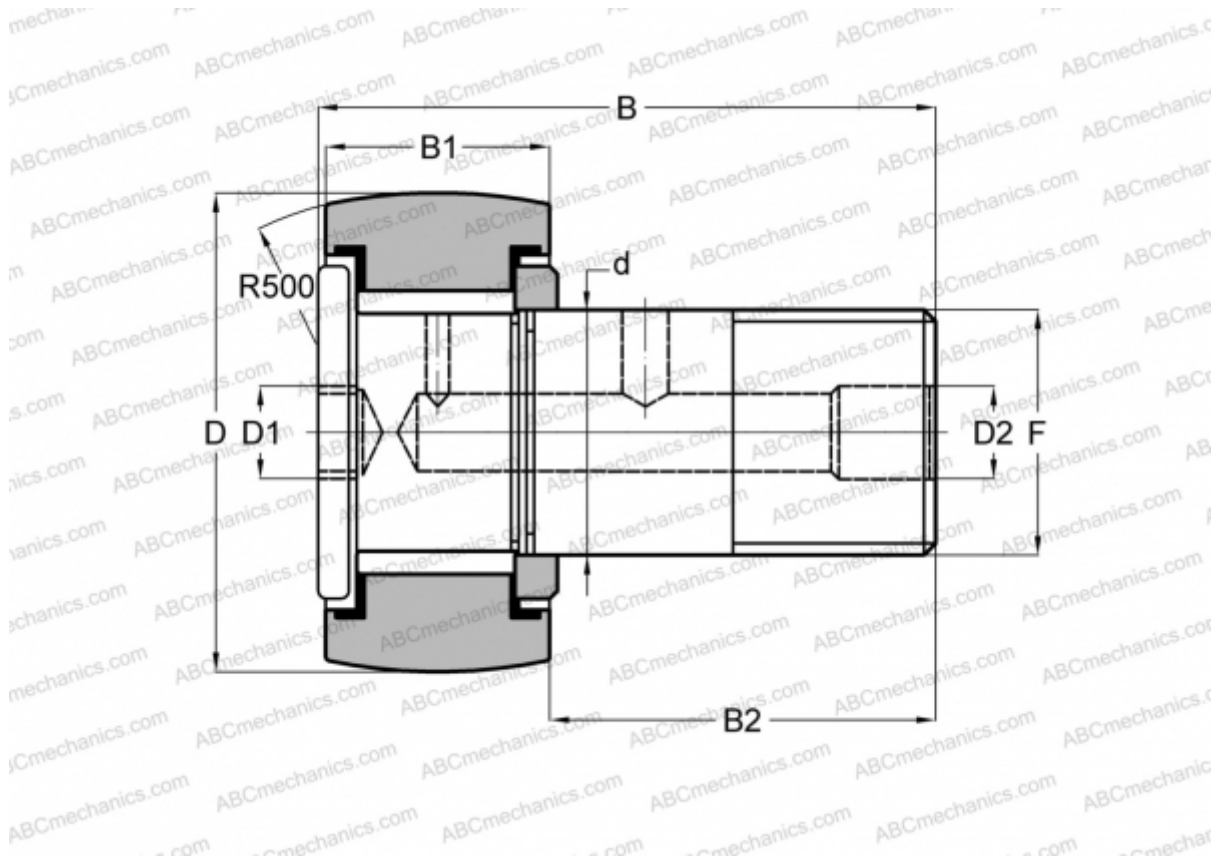


CRHSBC 14 TORRINGTON

Cam followers

TYPE: Roller bearings, Stud type track rollers, Heavy duty stud, hex socket, contact seals on both side, inch size



Technical specification

DIMENSIONS, MM

| | |
|----|---------|
| d | 11,100 |
| D | 22,225 |
| D1 | 4,763 |
| D2 | 4,763 |
| B | 35,718 |
| B1 | 12,700 |
| B2 | 22,225 |
| F | 7/16-20 |

INTERCHANGE

SMITH BEARING

[HR 7/8 XBC](#)

WEIGHT, KG

0,050

MANUFACTURER

[TORRINGTON](#)

INTERCHANGE

McGill

[CCFH 7/8 SB](#)

RBC

[CH 28 LW](#)