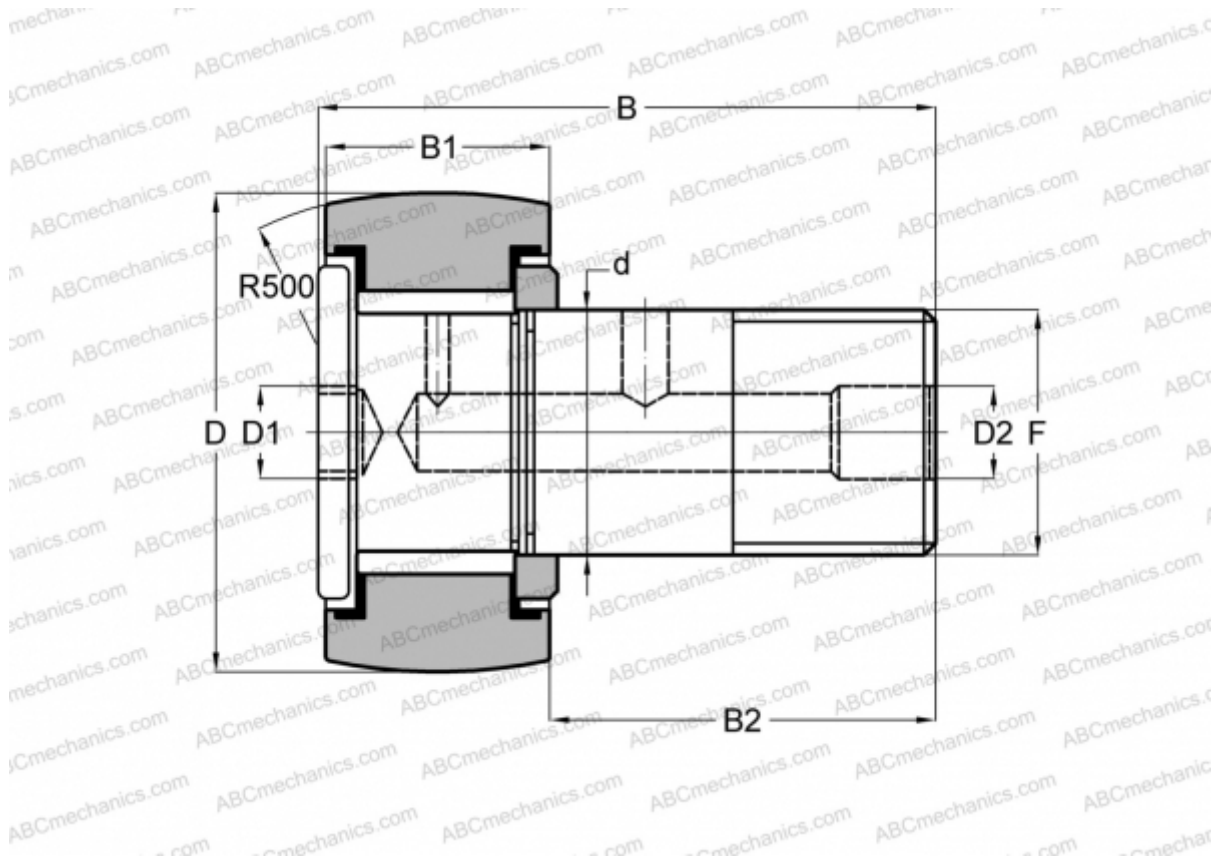


CH 32 LW RBC

Cam followers

TYPE: Roller bearings, Stud type track rollers, Heavy duty stud, hex socket, contact seals on both side, inch size



Technical specification

DIMENSIONS, MM

d	15,875
D	25,400
D1	6,350
D2	4,763
B	42,068
B1	15,875
B2	25,400
F	5/8-18

WEIGHT, KG 0,095

MANUFACTURER [RBC](#)

INTERCHANGE

TORRINGTON	CRHSBC 16
McGill	CCFH 1 SB

INTERCHANGE

SMITH BEARING

[HR 1 XBC](#)