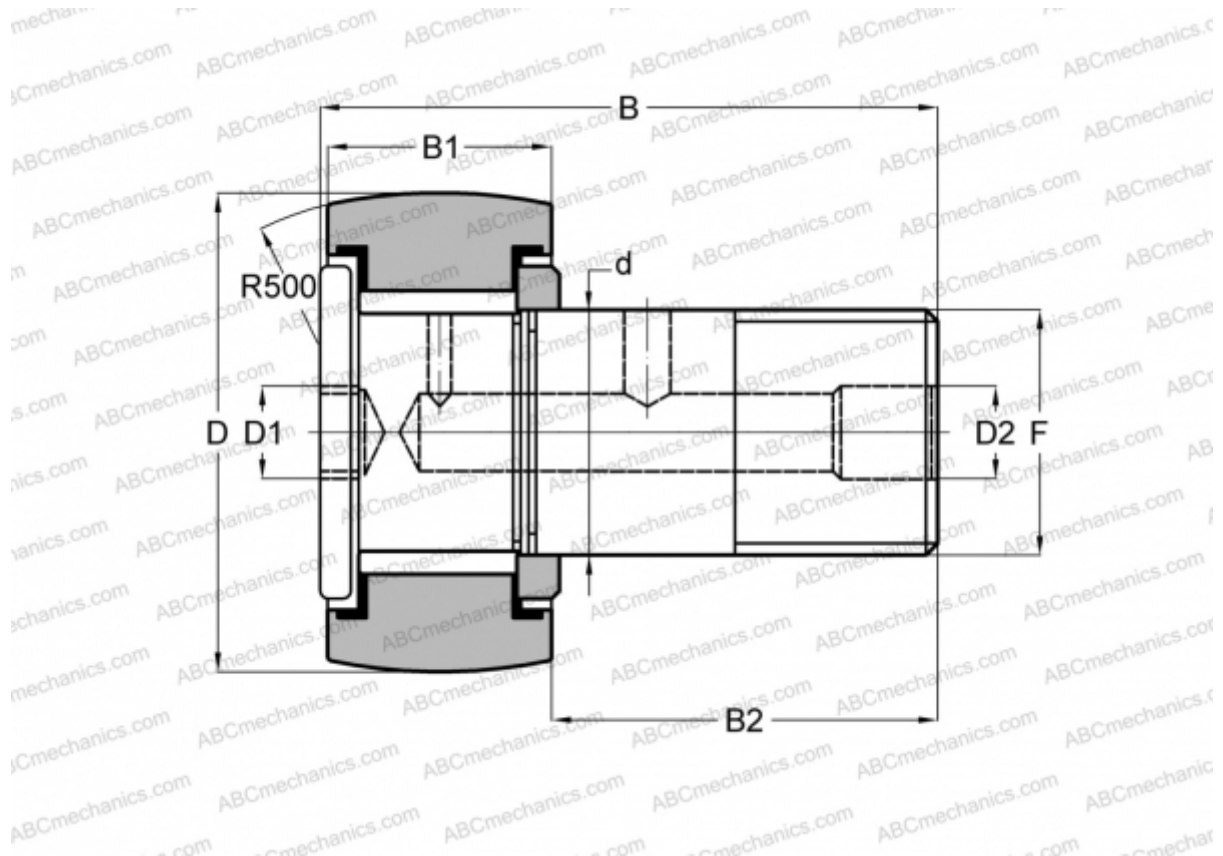


HR 1 XBC SMITH BEARING

Cam followers

TYPE: Roller bearings, Stud type track rollers, Heavy duty stud, hex socket, contact seals on both side, inch size



Technical specification

DIMENSIONS, MM

d	15,875
D	25,400
D1	6,350
D2	4,763
B	42,068
B1	15,875
B2	25,400
F	5/8-18

WEIGHT, KG 0,095

MANUFACTURER [SMITH BEARING](#)

INTERCHANGE

TORRINGTON [CRHSBC 16](#)
 McGill [CCFH 1 SB](#)

INTERCHANGE

RBC [CH 32 LW](#)