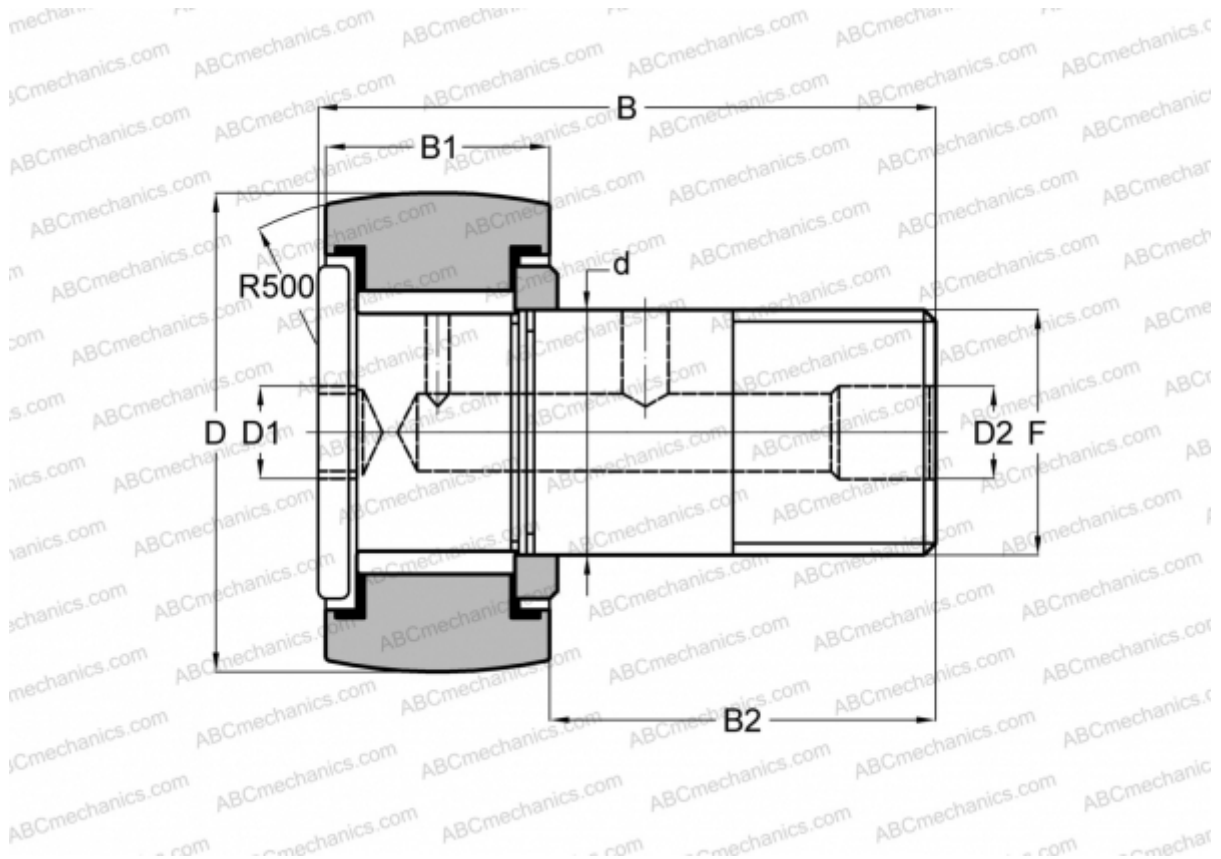


CH 40 LW RBC

Cam followers

TYPE: Roller bearings, Stud type track rollers, Heavy duty stud, hex socket, contact seals on both side, inch size



Technical specification

DIMENSIONS, MM

d	19,050
D	31,750
D1	6,350
D2	4,763
B	51,593
B1	19,050
B2	31,750
F	3/4-16

WEIGHT, KG 0,177

MANUFACTURER [RBC](#)

INTERCHANGE

TORRINGTON [CRHSBC 20](#)
 McGill [CCFH 1 1/4 SB](#)

INTERCHANGE

SMITH BEARING [HR 1 1/4 XBC](#)