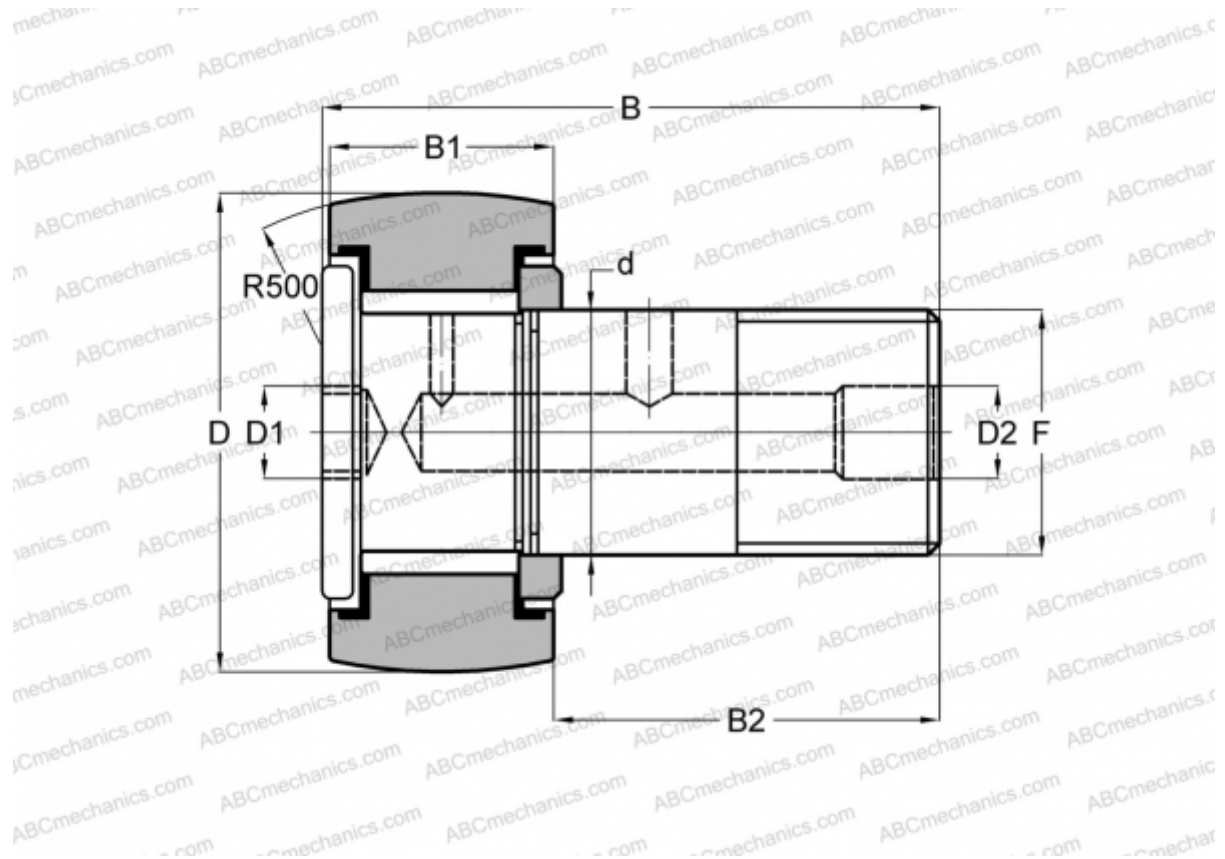


## HR 1 1/4 XBC SMITH BEARING

Cam followers

TYPE: Roller bearings, Stud type track rollers, Heavy duty stud, hex socket, contact seals on both side, inch size



### Technical specification

#### DIMENSIONS, MM

d	19,050
D	31,750
D1	6,350
D2	4,763
B	51,593
B1	19,050
B2	31,750
F	3/4-16

**WEIGHT, KG** 0,177

**MANUFACTURER** [SMITH BEARING](#)

#### INTERCHANGE

TORRINGTON [CRHSBC 20](#)  
McGill [CCFH 1 1/4 SB](#)

#### INTERCHANGE

RBC [CH 40 LW](#)