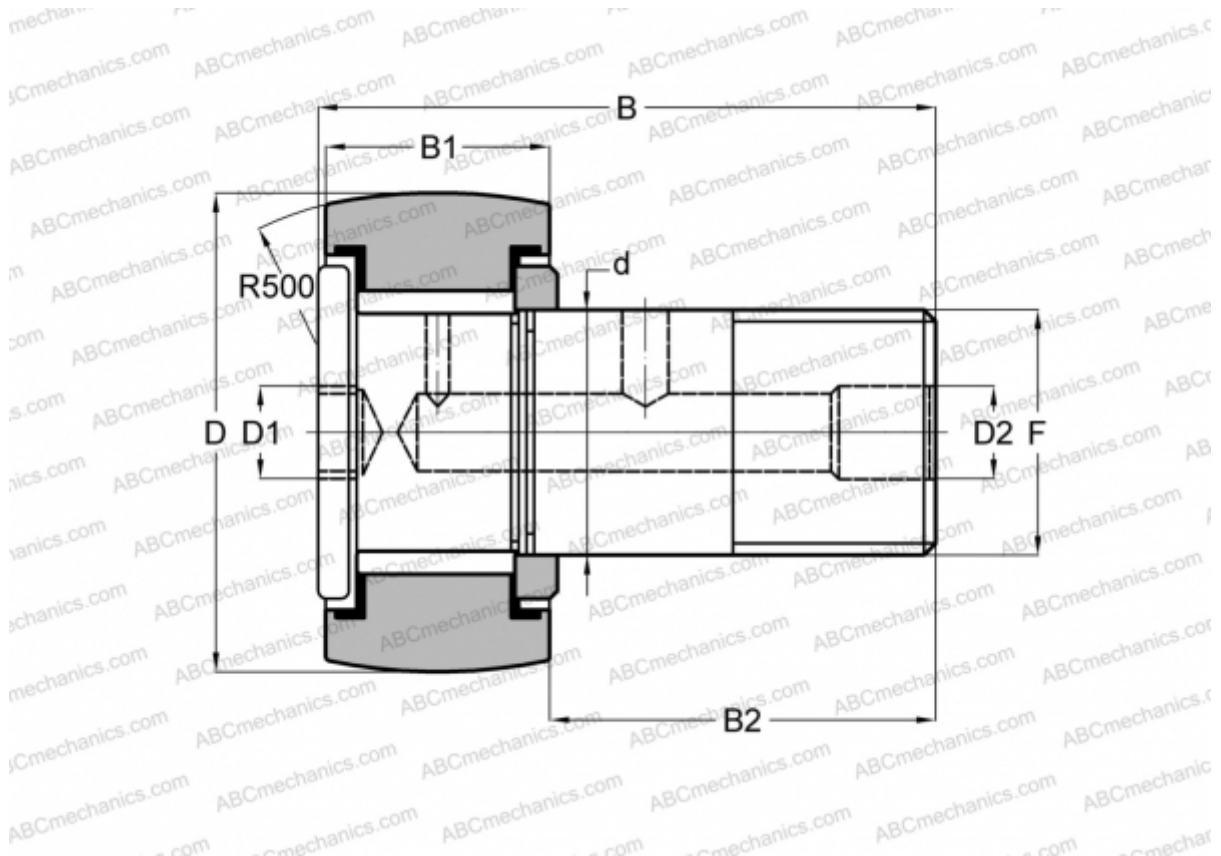


CRHSBC 22 TORRINGTON

Cam followers

TYPE: Roller bearings, Stud type track rollers, Heavy duty stud, hex socket, contact seals on both side, inch size



Technical specification

DIMENSIONS, MM

d	19,050
D	34,925
D1	6,350
D2	4,763
B	51,593
B1	19,050
B2	31,750
F	3/4-16

INTERCHANGE

SMITH BEARING

[HR 1 3/8 XBC](#)

WEIGHT, KG

0,200

MANUFACTURER

[TORRINGTON](#)

INTERCHANGE

McGill

[CCFH 1 3/8 SB](#)

RBC

[CH 44 LW](#)