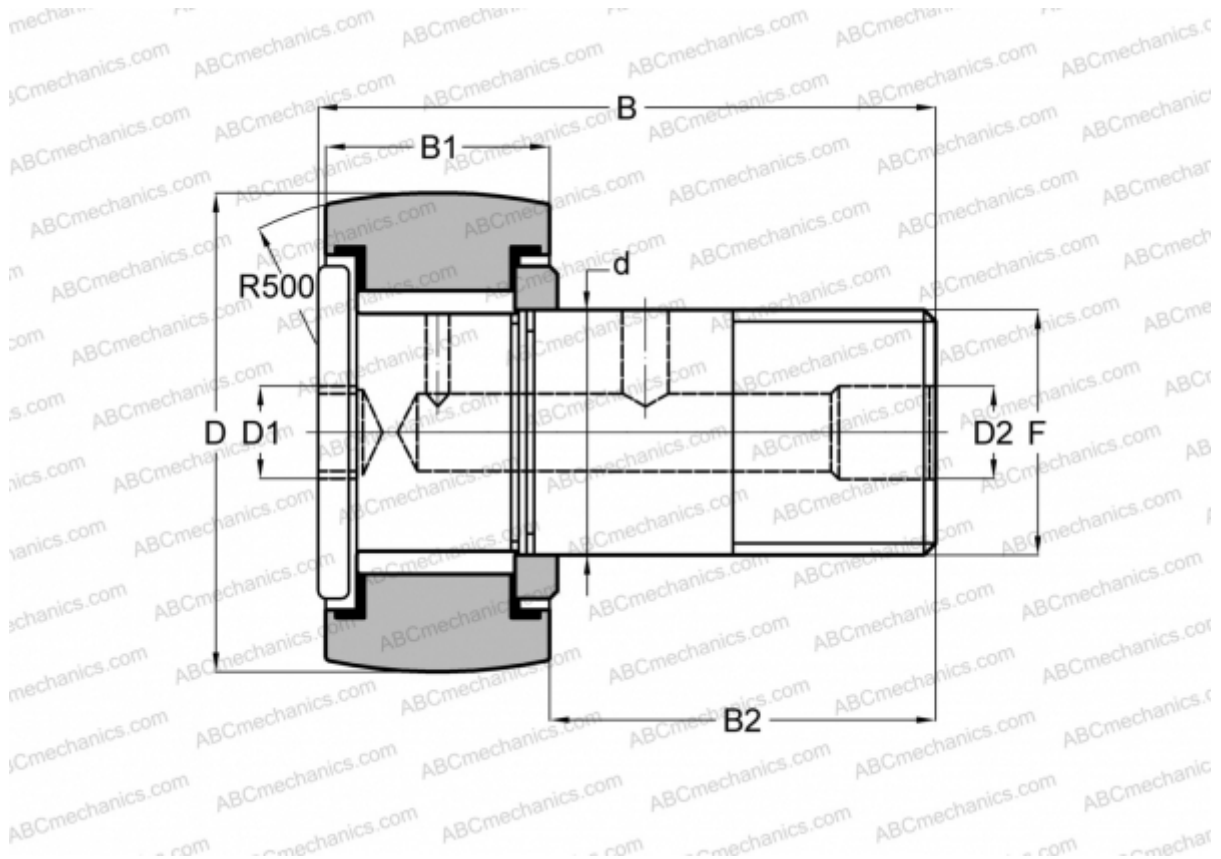


CCFH 1 3/8 SB McGill

Cam followers

TYPE: Roller bearings, Stud type track rollers, Heavy duty stud, hex socket, contact seals on both side, inch size



Technical specification

DIMENSIONS, MM

d	19,050
D	34,925
D1	6,350
D2	4,763
B	51,593
B1	19,050
B2	31,750
F	3/4-16

WEIGHT, KG 0,200

MANUFACTURER [McGill](#)

INTERCHANGE

TORRINGTON	CRHSBC 22
RBC	CH 44 LW

INTERCHANGE

SMITH BEARING	HR 1 3/8 XBC
---------------	------------------------------