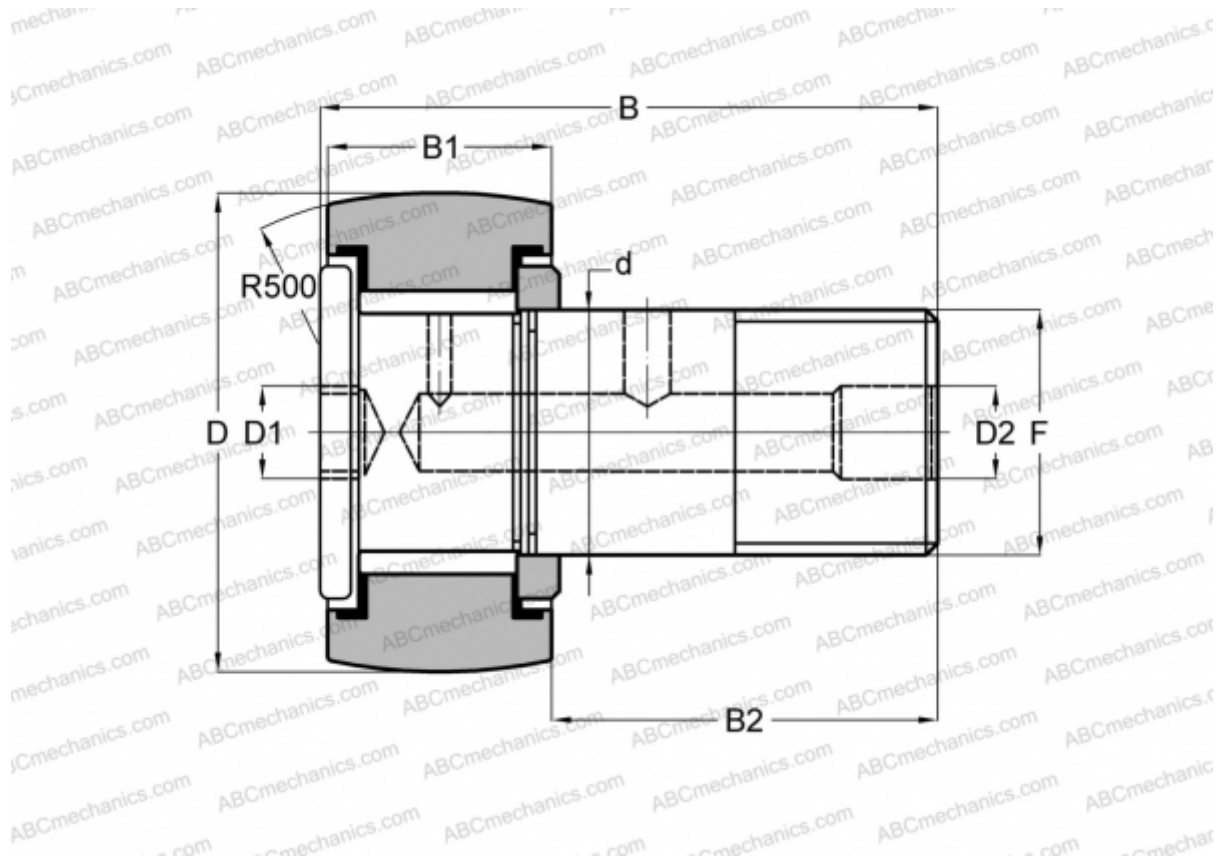


CRHSBC 26 TORRINGTON

Cam followers

TYPE: Roller bearings, Stud type track rollers, Heavy duty stud, hex socket, contact seals on both side, inch size



Technical specification

DIMENSIONS, MM

d	22,225
D	41,275
D1	7,938
D2	4,763
B	61,118
B1	22,225
B2	38,100
F	7/8-14

INTERCHANGE

SMITH BEARING

[HR 1 5/8 XBC](#)

WEIGHT, KG

0,331

MANUFACTURER

[TORRINGTON](#)

INTERCHANGE

McGill

[CCFH 1 5/8 2B](#)

RBC

[CH 52 LW](#)