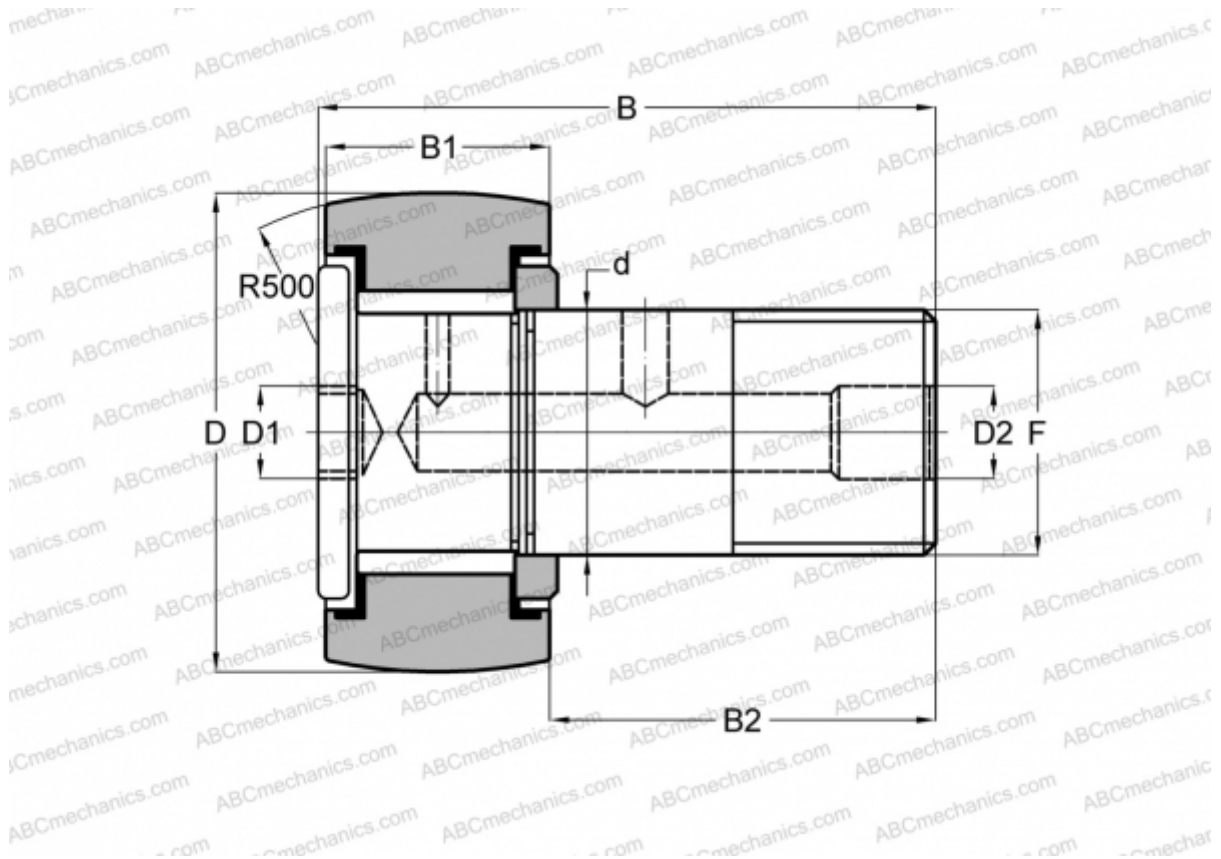


## CH 52 LW RBC

Cam followers

TYPE: Roller bearings, Stud type track rollers, Heavy duty stud, hex socket, contact seals on both side, inch size



### Technical specification

#### DIMENSIONS, MM

d	22,225
D	41,275
D1	7,938
D2	4,763
B	61,118
B1	22,225
B2	38,100
F	7/8-14

#### INTERCHANGE

SMITH BEARING

[HR 1 5/8 XBC](#)

#### WEIGHT, KG

0,331

#### MANUFACTURER

[RBC](#)

#### INTERCHANGE

TORRINGTON

[CRHSBC 26](#)

McGill

[CCFH 1 5/8 2B](#)