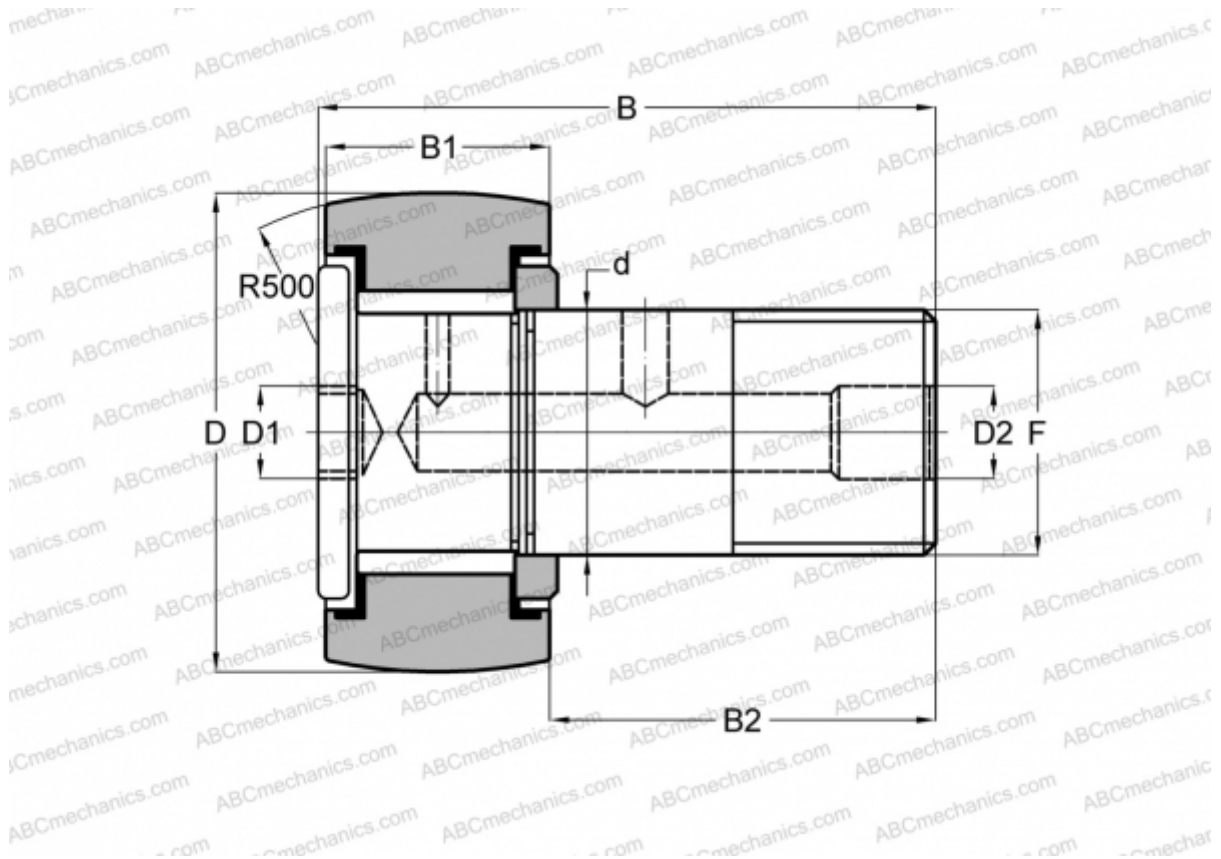


HR 1 5/8 XBC SMITH BEARING

Cam followers

TYPE: Roller bearings, Stud type track rollers, Heavy duty stud, hex socket, contact seals on both side, inch size



Technical specification

DIMENSIONS, MM

d	22,225
D	41,275
D1	7,938
D2	4,763
B	61,118
B1	22,225
B2	38,100
F	7/8-14

WEIGHT, KG 0,331

MANUFACTURER [SMITH BEARING](#)

INTERCHANGE

TORRINGTON [CRHSBC 26](#)
McGill [CCFH 1 5/8 2B](#)

INTERCHANGE

RBC [CH 52 LW](#)