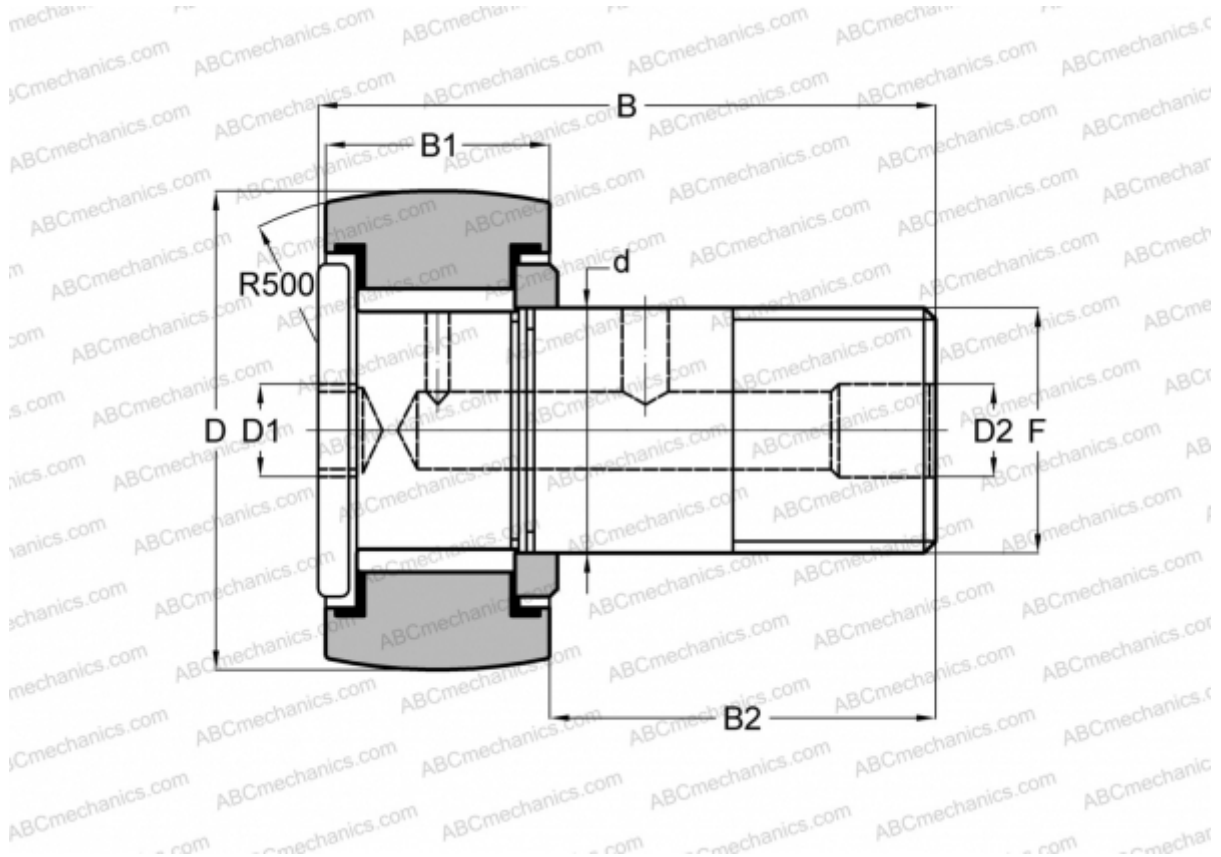


## HR 2 XBC SMITH BEARING

Cam followers

TYPE: Roller bearings, Stud type track rollers, Heavy duty stud, hex socket, contact seals on both side, inch size



### Technical specification

#### DIMENSIONS, MM

d	28,575
D	50,800
D1	11,113
D2	4,763
B	83,343
B1	31,750
B2	50,800
F	1 1/812

#### INTERCHANGE

RBC	<a href="#">CH 64 LW</a>
-----	--------------------------

**WEIGHT, KG** 0,721

**MANUFACTURER** [SMITH BEARING](#)

#### INTERCHANGE

TORRINGTON	<a href="#">CRHSBC 32</a>
McGill	<a href="#">CCFH 2 SB</a>