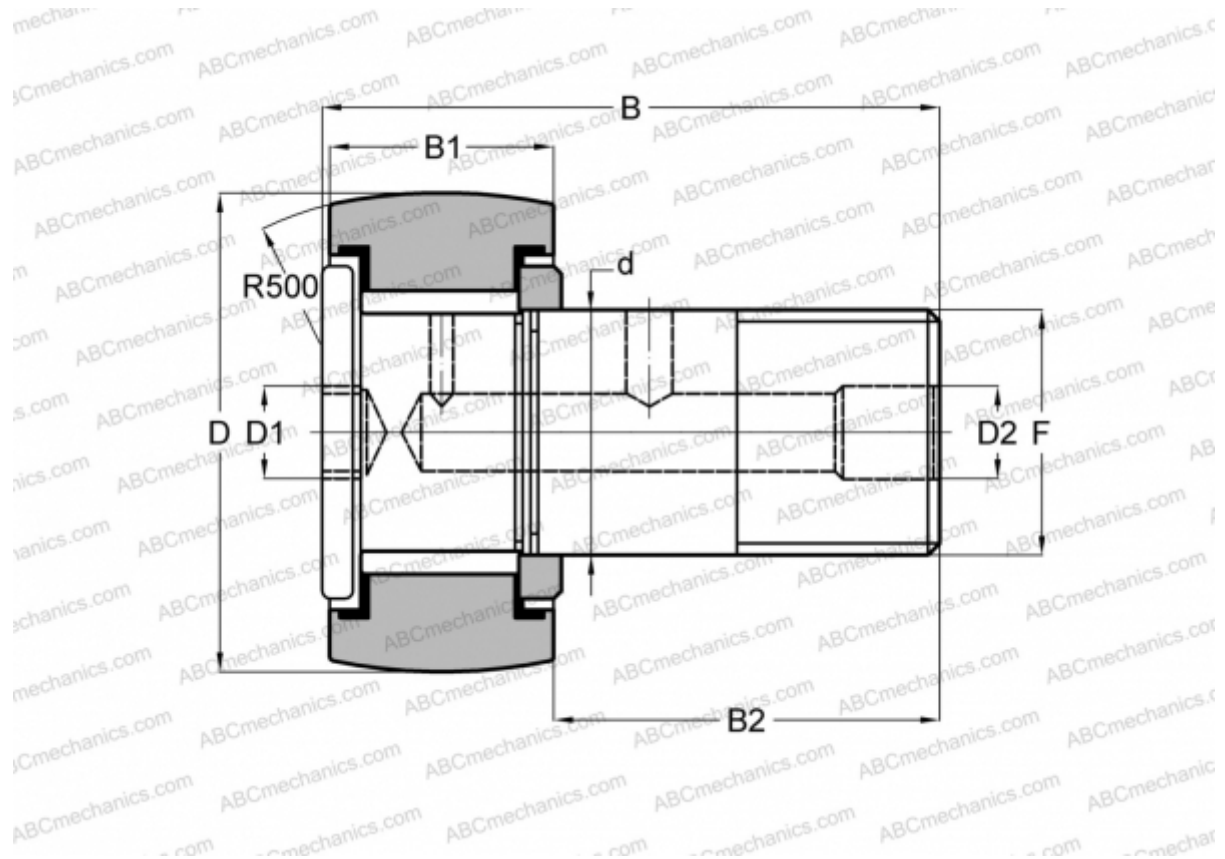


## CRHSBC 36 TORRINGTON

Cam followers

TYPE: Roller bearings, Stud type track rollers, Heavy duty stud, hex socket, contact seals on both side, inch size



### Technical specification

#### DIMENSIONS, MM

d	28,575
D	57,150
D1	11,113
D2	4,763
B	83,343
B1	31,750
B2	50,800
F	1 1/8-12

#### INTERCHANGE

SMITH BEARING

[HR 2 1/4 XBC](#)

**WEIGHT, KG** 0,857

**MANUFACTURER** [TORRINGTON](#)

#### INTERCHANGE

McGill [CCFH 2 1/4 SB](#)

RBC [CH 72 LW](#)