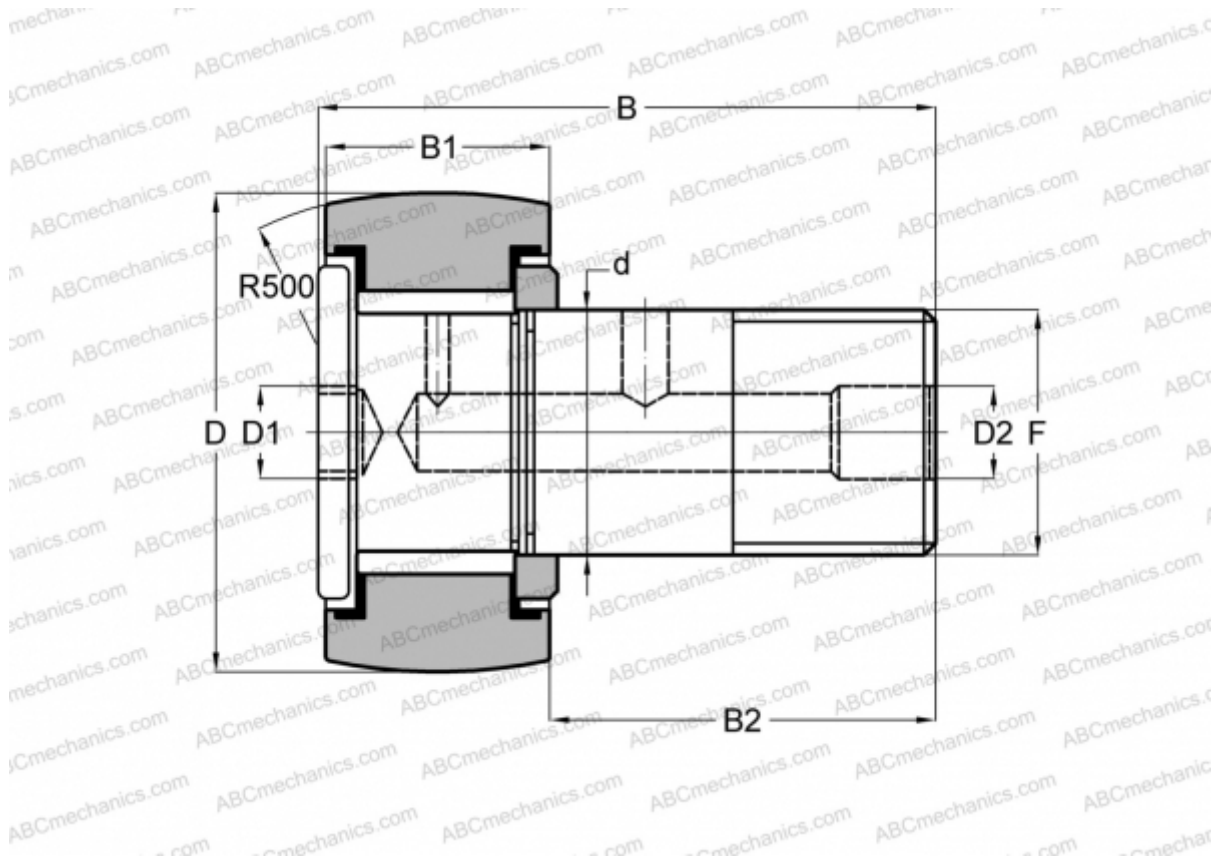


CRHSBC 40 TORRINGTON

Cam followers

TYPE: Roller bearings, Stud type track rollers, Heavy duty stud, hex socket, contact seals on both side, inch size



Technical specification

DIMENSIONS, MM

d	31,750
D	63,500
D1	12,700
D2	4,763
B	96,043
B1	38,100
B2	57,150
F	1 1/4-12

INTERCHANGE

SMITH BEARING

[HR 2 1/2 XBC](#)

WEIGHT, KG 1,247

MANUFACTURER [TORRINGTON](#)

INTERCHANGE

McGill [CCFH 2 1/2 SB](#)

RBC [CH 80 LW](#)