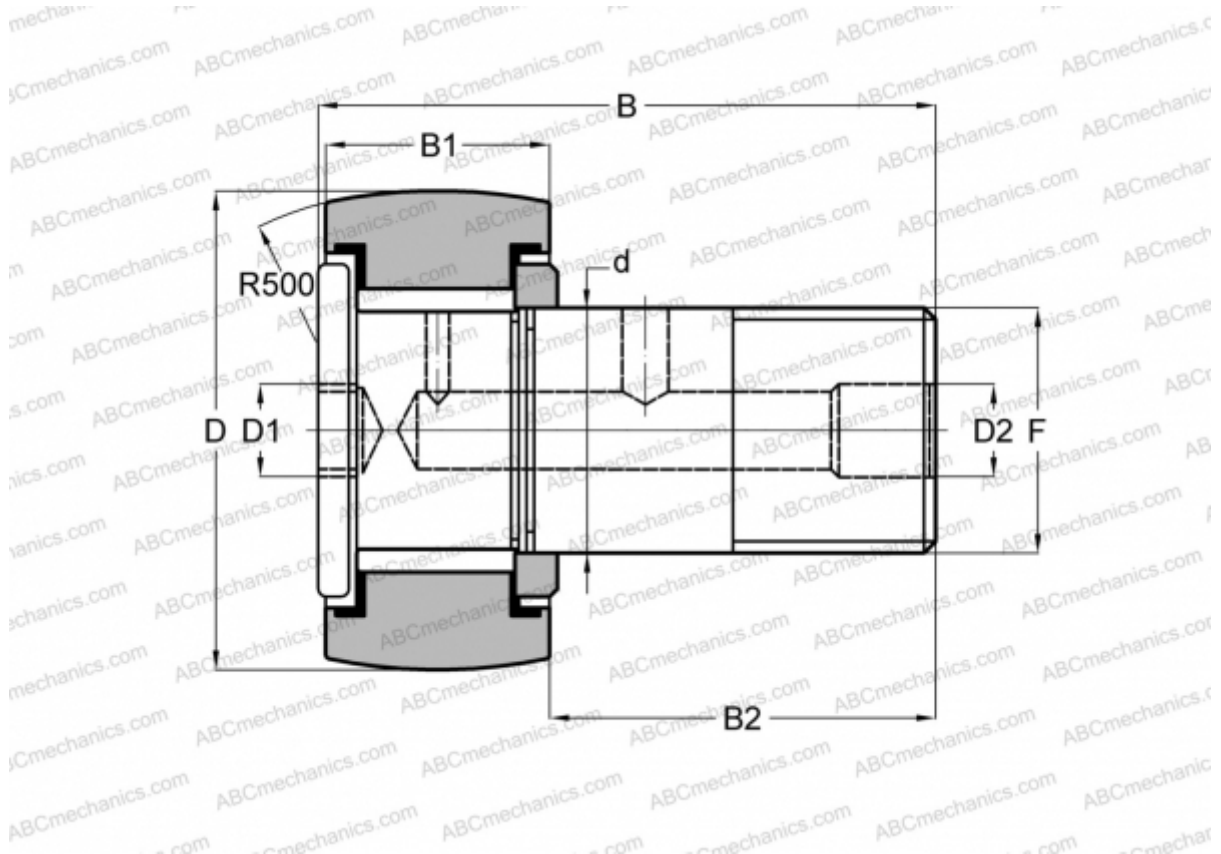


HR 2 1/2 XBC SMITH BEARING

Cam followers

TYPE: Roller bearings, Stud type track rollers, Heavy duty stud, hex socket, contact seals on both side, inch size



Technical specification

DIMENSIONS, MM

d	31,750
D	63,500
D1	12,700
D2	4,763
B	96,043
B1	38,100
B2	57,150
F	1 1/4-12

INTERCHANGE

RBC	CH 80 LW
-----	--------------------------

WEIGHT, KG 1,247

MANUFACTURER [SMITH BEARING](#)

INTERCHANGE

TORRINGTON	CRHSBC 40
McGill	CCFH 2 1/2 SB