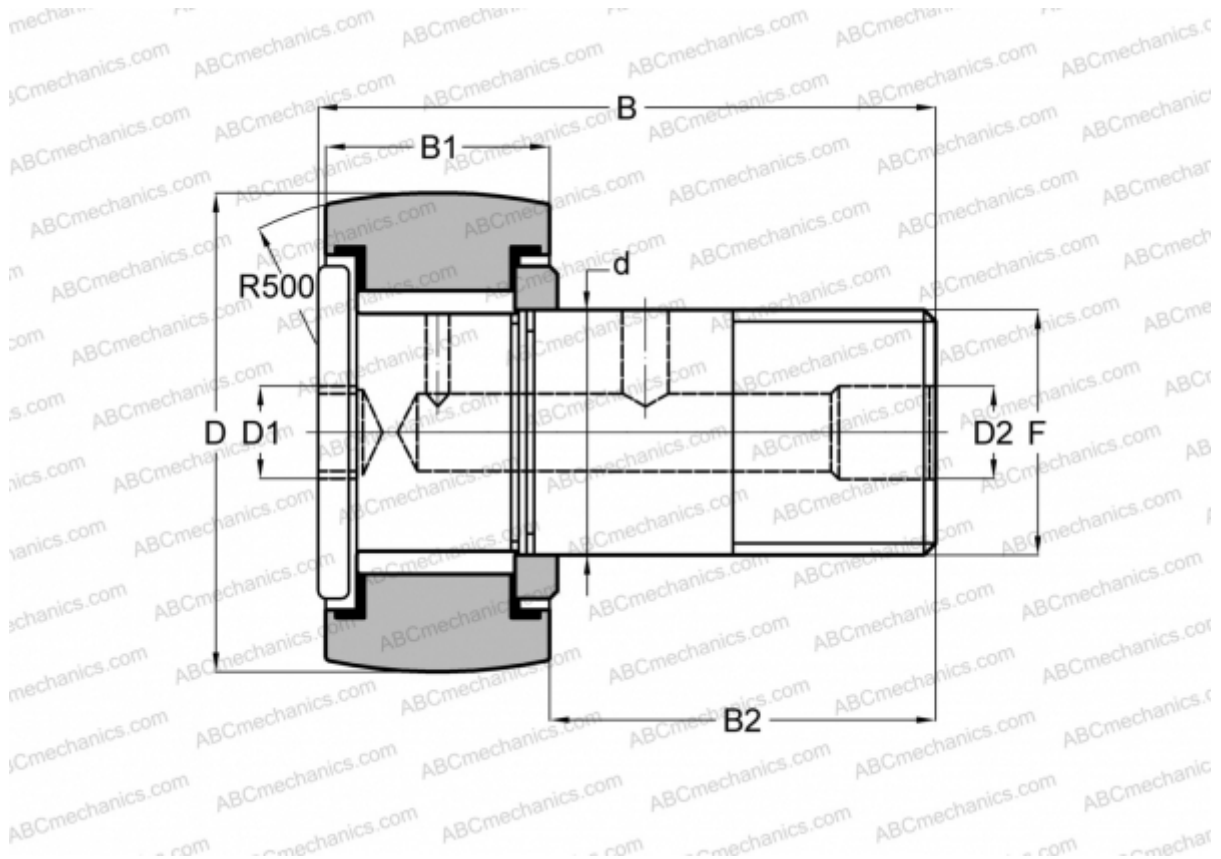


CRHSBC 48 TORRINGTON

Cam followers

TYPE: Roller bearings, Stud type track rollers, Heavy duty stud, hex socket, contact seals on both side, inch size



Technical specification

DIMENSIONS, MM

| | |
|----|----------|
| d | 38,100 |
| D | 76,200 |
| D1 | 15,875 |
| D2 | 6,350 |
| B | 108,742 |
| B1 | 44,450 |
| B2 | 63,500 |
| F | 1 1/2-12 |

INTERCHANGE

SMITH BEARING

[HR 3 XBC](#)

WEIGHT, KG

2,068

MANUFACTURER

[TORRINGTON](#)

INTERCHANGE

| | |
|--------|---------------------------|
| McGill | CCFH 3 SB |
| RBC | CH 96 LW |