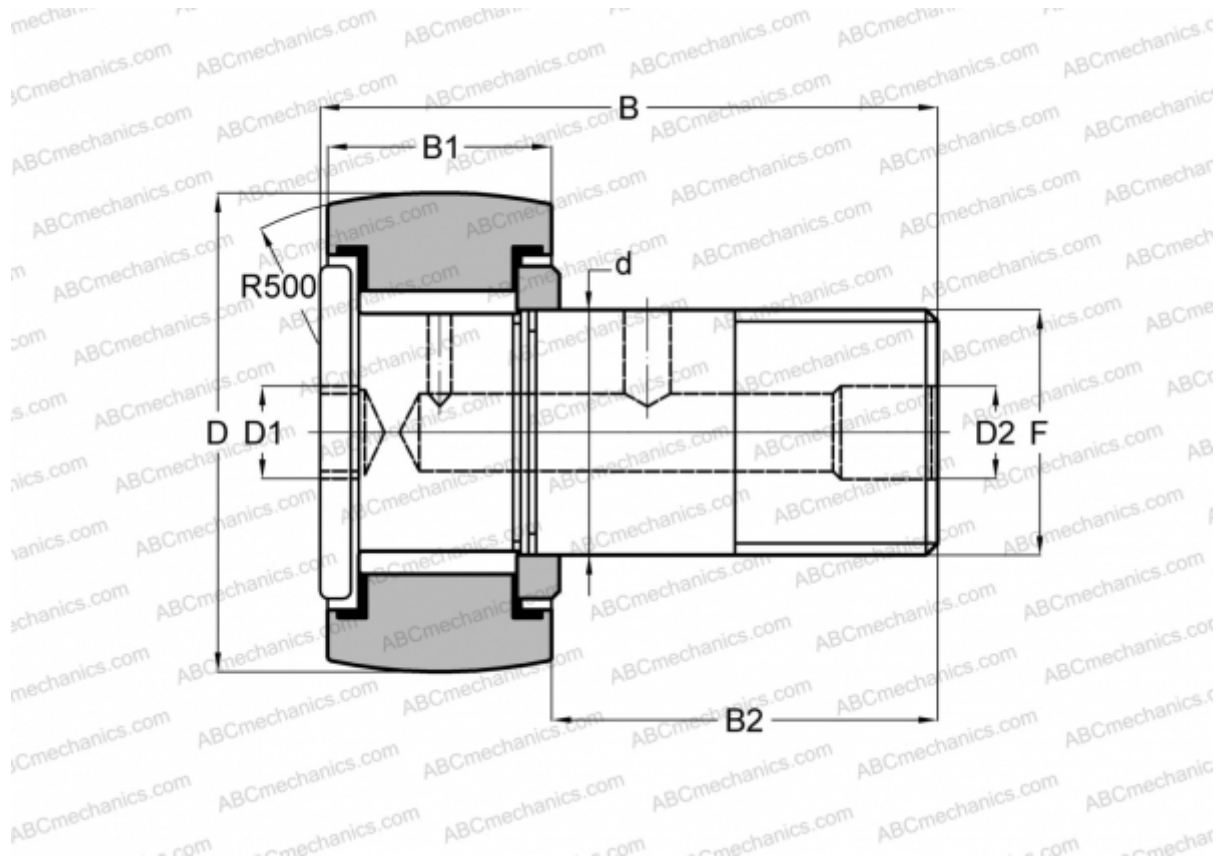


## CH 96 LW RBC

Cam followers

TYPE: Roller bearings, Stud type track rollers, Heavy duty stud, hex socket, contact seals on both side, inch size



### Technical specification

#### DIMENSIONS, MM

d	38,100
D	76,200
D1	15,875
D2	6,350
B	108,742
B1	44,450
B2	63,500
F	1 1/2-12

#### INTERCHANGE

SMITH BEARING

[HR 3 XBC](#)

#### WEIGHT, KG

2,068

#### MANUFACTURER

[RBC](#)

#### INTERCHANGE

TORRINGTON

[CRHSBC 48](#)

McGill

[CCFH 3 SB](#)