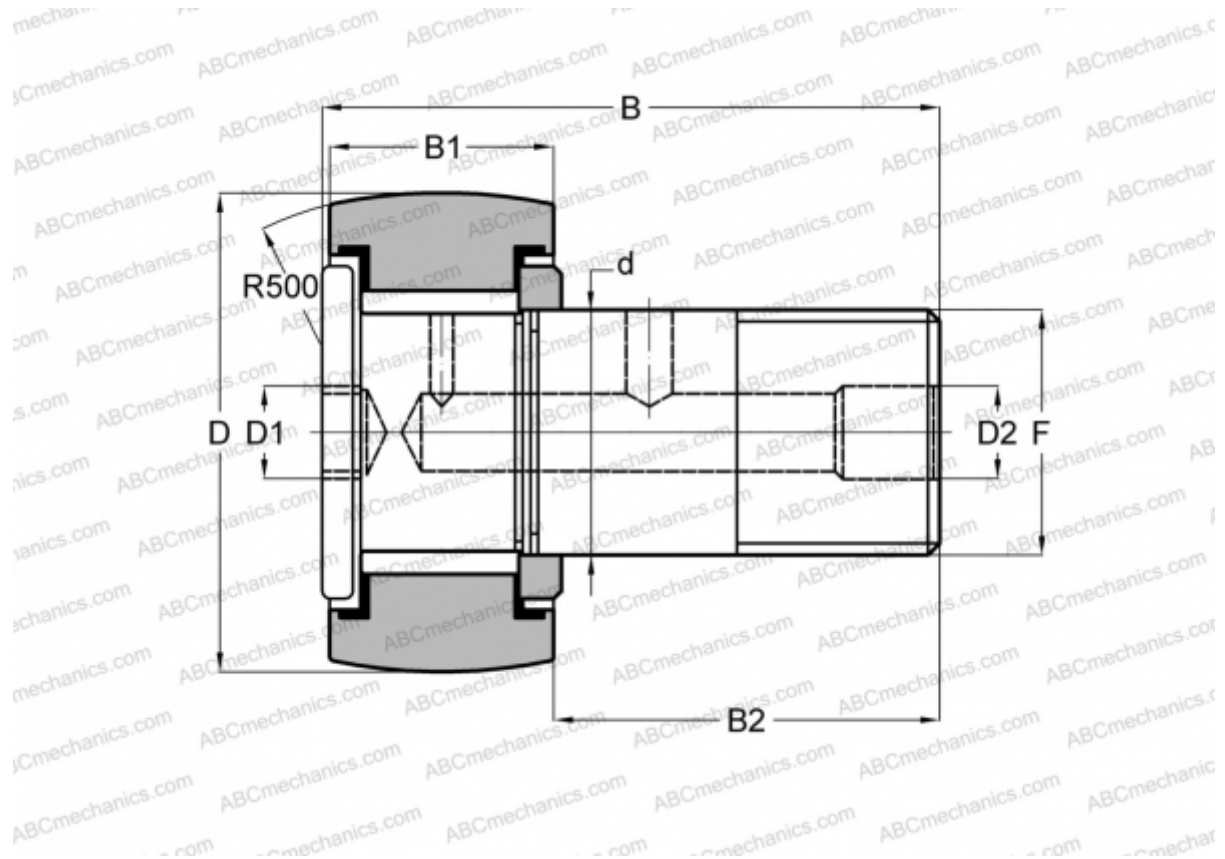


## HR 3 1/4 XBC SMITH BEARING

Cam followers

TYPE: Roller bearings, Stud type track rollers, Heavy duty stud, hex socket, contact seals on both side, inch size



### Technical specification

#### DIMENSIONS, MM

|    |          |
|----|----------|
| d  | 38,100   |
| D  | 82,550   |
| D1 | 15,875   |
| D2 | 6,350    |
| B  | 108,742  |
| B1 | 44,450   |
| B2 | 63,500   |
| F  | 1 1/2-12 |

**WEIGHT, KG** 2,354

**MANUFACTURER** [SMITH BEARING](#)

#### INTERCHANGE

TORRINGTON [CRHSBC 52](#)  
 McGill [CCFH 3 1/4 SB](#)

#### INTERCHANGE

RBC [CH 104 LW](#)