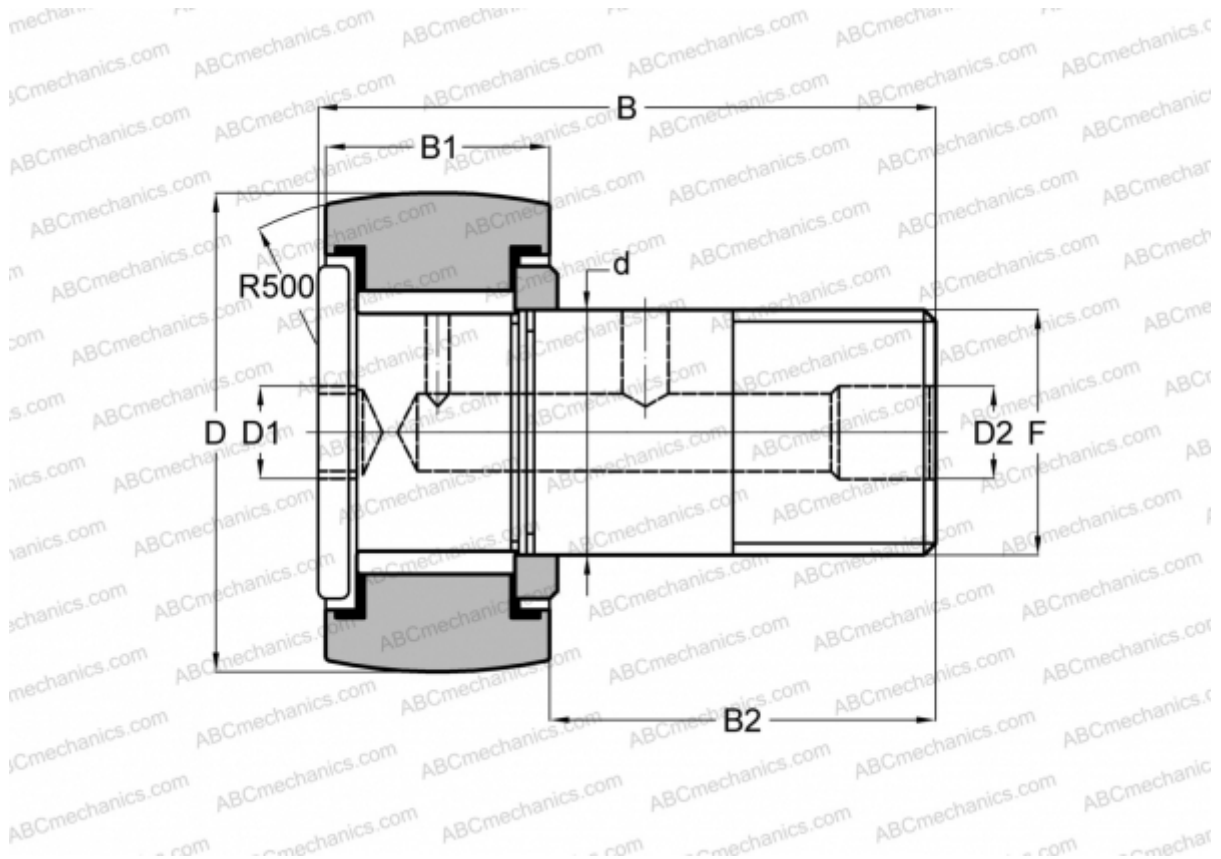


CH 128 LW RBC

Cam followers

TYPE: Roller bearings, Stud type track rollers, Heavy duty stud, hex socket, contact seals on both side, inch size



Technical specification

DIMENSIONS, MM

d	50,800
D	101,600
D1	19,050
D2	6,350
B	146,842
B1	57,150
B2	88,900
F	2-12

WEIGHT, KG 4,912

MANUFACTURER [RBC](#)

INTERCHANGE

TORRINGTON [CRHSBC 64](#)
 McGill [CCFH 4 SB](#)