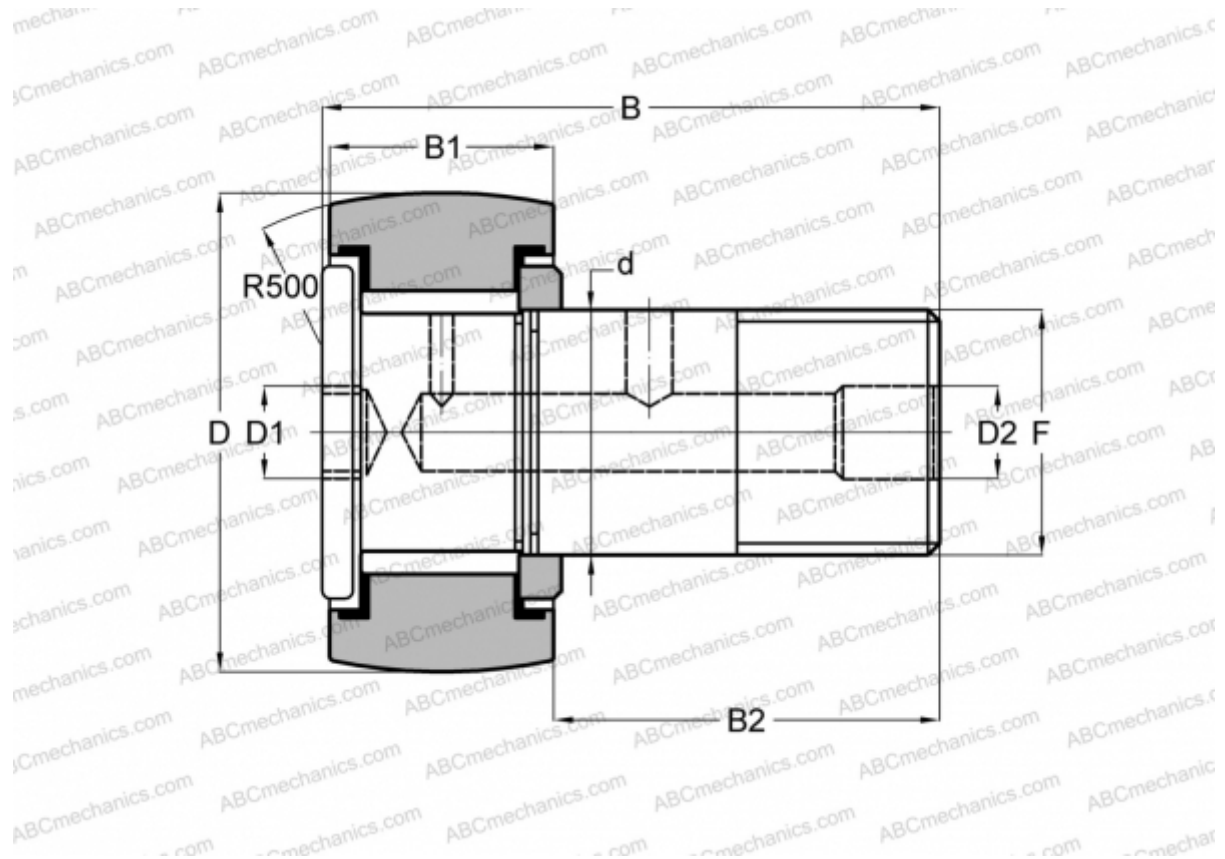


## CH 192 LW RBC

Cam followers

TYPE: Roller bearings, Stud type track rollers, Heavy duty stud, hex socket, contact seals on both side, inch size



### Technical specification

#### DIMENSIONS, MM

d	76,200
D	152,400
D1	25,400
D2	6,350
B	236,538
B1	82,550
B2	152,400
F	3-12

**WEIGHT, KG** 16,515

**MANUFACTURER** [RBC](#)

#### INTERCHANGE

TORRINGTON [CRHSBC 96](#)  
 McGill [CCFH 6 SB](#)