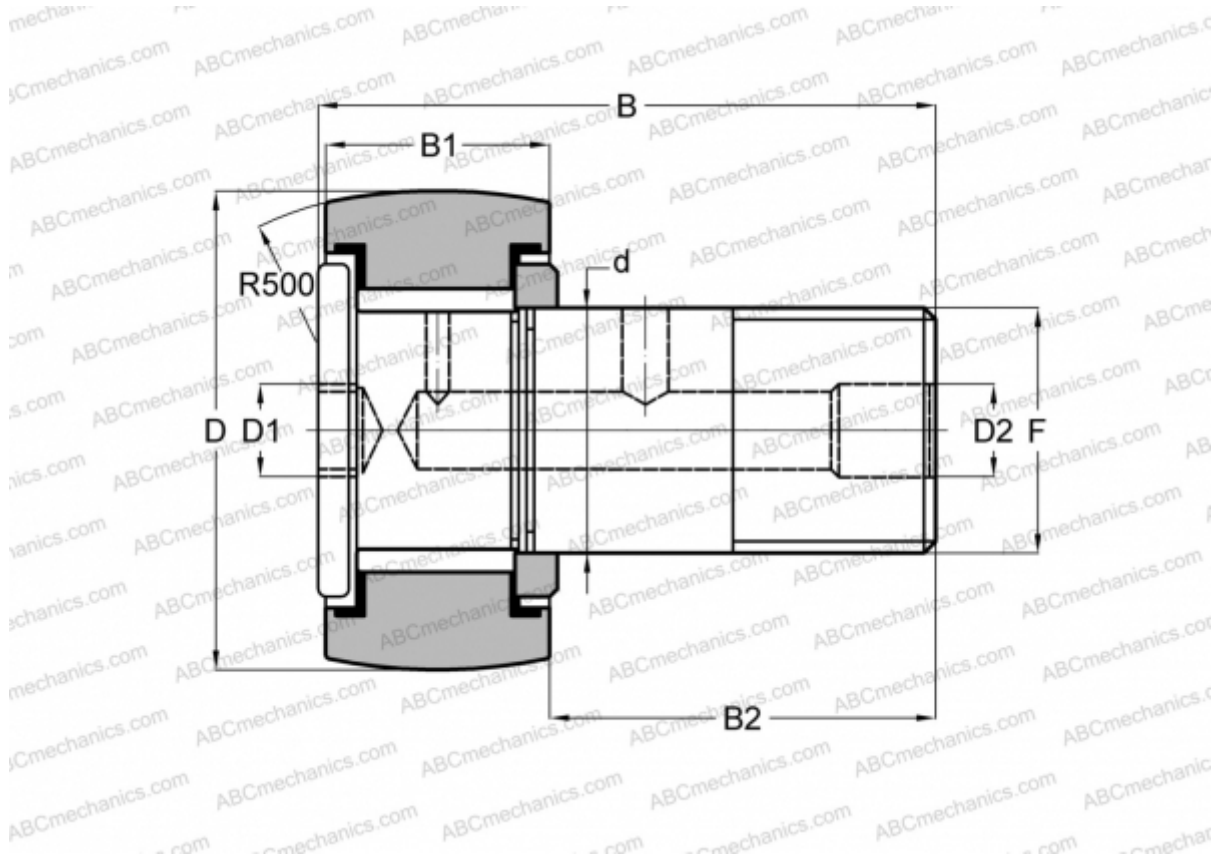


## CRHSBC 112 TORRINGTON

Cam followers

TYPE: Roller bearings, Stud type track rollers, Heavy duty stud, hex socket, contact seals on both side, inch size



### Technical specification

#### DIMENSIONS, MM

d	88,900
D	177,800
D1	31,750
D2	6,350
B	292,087
B1	95,250
B2	195,262
F	3 1/2-4

**WEIGHT, KG** 30,858

**MANUFACTURER** [TORRINGTON](#)

#### INTERCHANGE

McGill	<a href="#">CCFH 7 SB</a>
RBC	<a href="#">CH 224 LW</a>