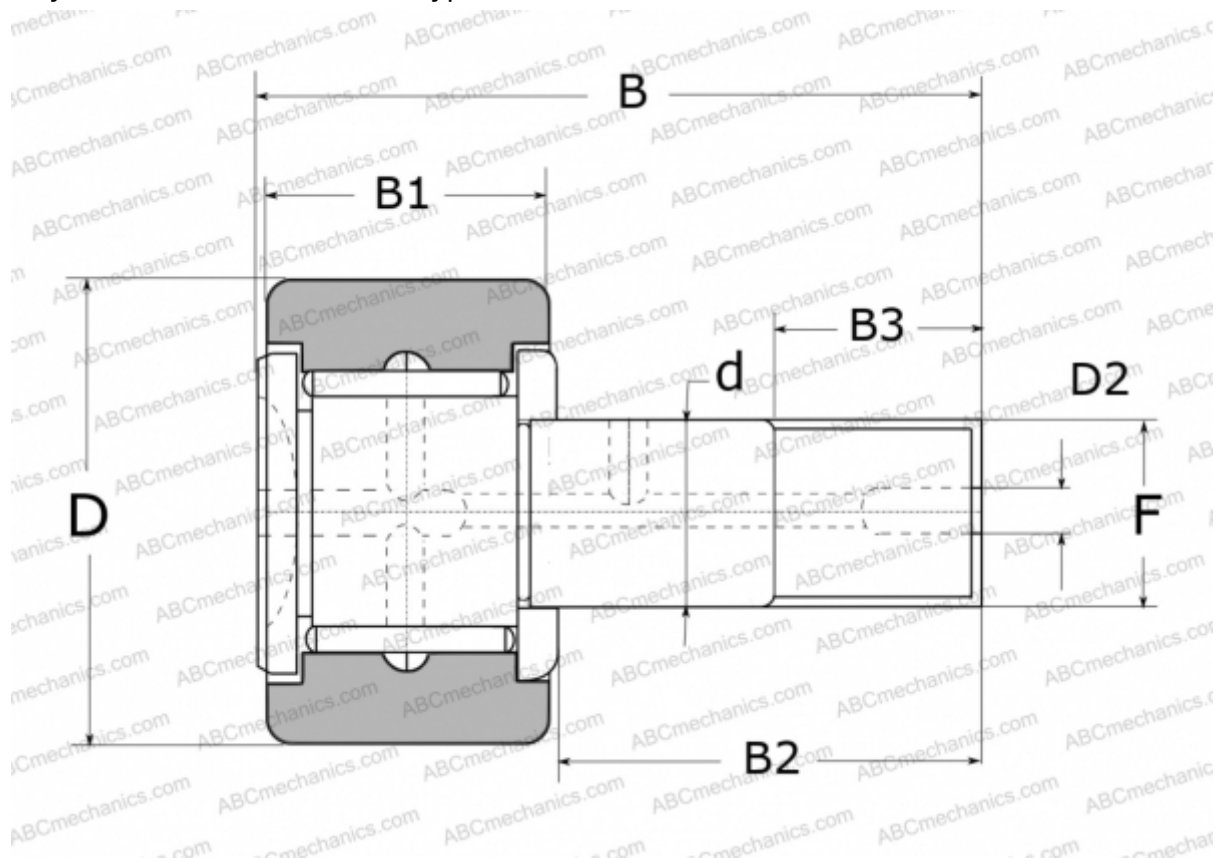


## FCR22 NSK

Cam followers

TYPE: Roller bearings, Stud type track rollers, With axial guidance, full complement bearing, outer ring has a cylindrical outside surface, type FCR (NSK)



### Technical specification

#### DIMENSIONS, MM

|    |          |
|----|----------|
| d  | 10,000   |
| D  | 22,000   |
| D2 | 4,000    |
| B  | 36,000   |
| B1 | 12,000   |
| B2 | 23,000   |
| B3 | 12,000   |
| F  | M10X1.25 |

**WEIGHT, KG** 0,047

**MANUFACTURER** [NSK](#)

#### REPLACES

FCR-22