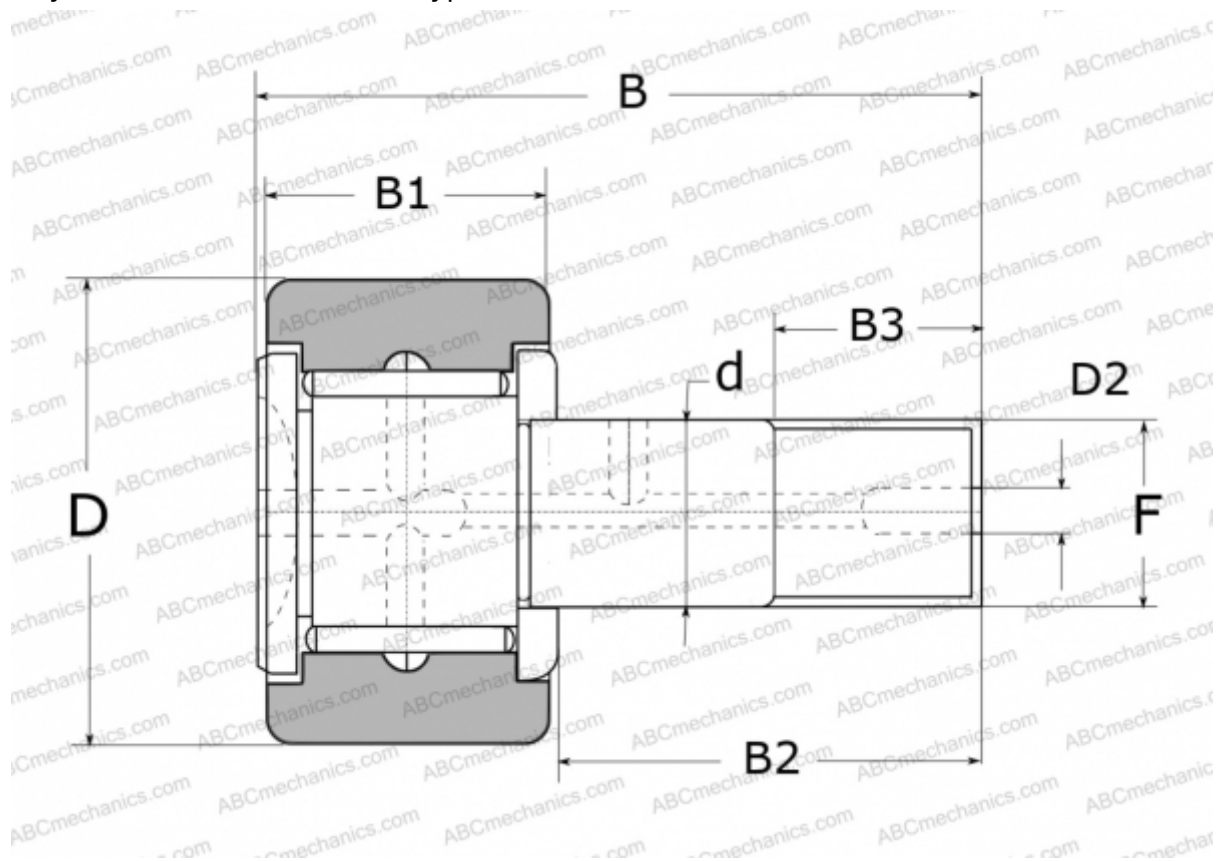


## FCR30 NSK

Cam followers

TYPE: Roller bearings, Stud type track rollers, With axial guidance, full complement bearing, outer ring has a cylindrical outside surface, type FCR (NSK)



### Technical specification

#### DIMENSIONS, MM

d	12,000
D	30,000
D2	6,000
B	40,000
B1	14,000
B2	25,000
B3	13,000
F	M12X1.5

**WEIGHT, KG** 0,088

**MANUFACTURER** [NSK](#)

#### REPLACES

FCR-30