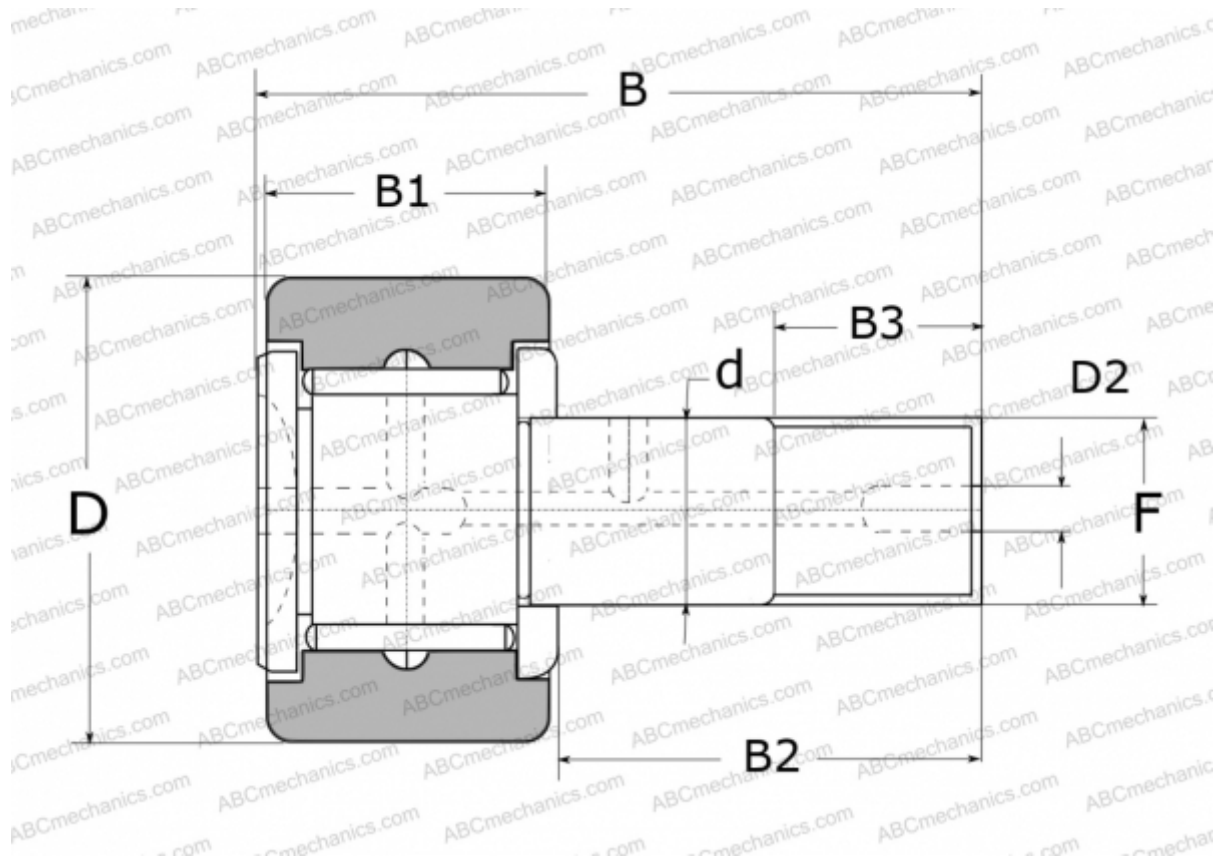


FCJ12R NSK

Cam followers

TYPE: Roller bearings, Stud type track rollers, With axial guidance, with cage, outer ring has a spherical outside surface, type FCJ..R (NSK)



Technical specification

DIMENSIONS, MM

d	4,000
D	12,000
B	20,000
B1	8,000
B2	11,000
B3	6,000
F	M4X0.7

WEIGHT, KG 0,008

MANUFACTURER [NSK](#)

REPLACES

FCJ-12 R