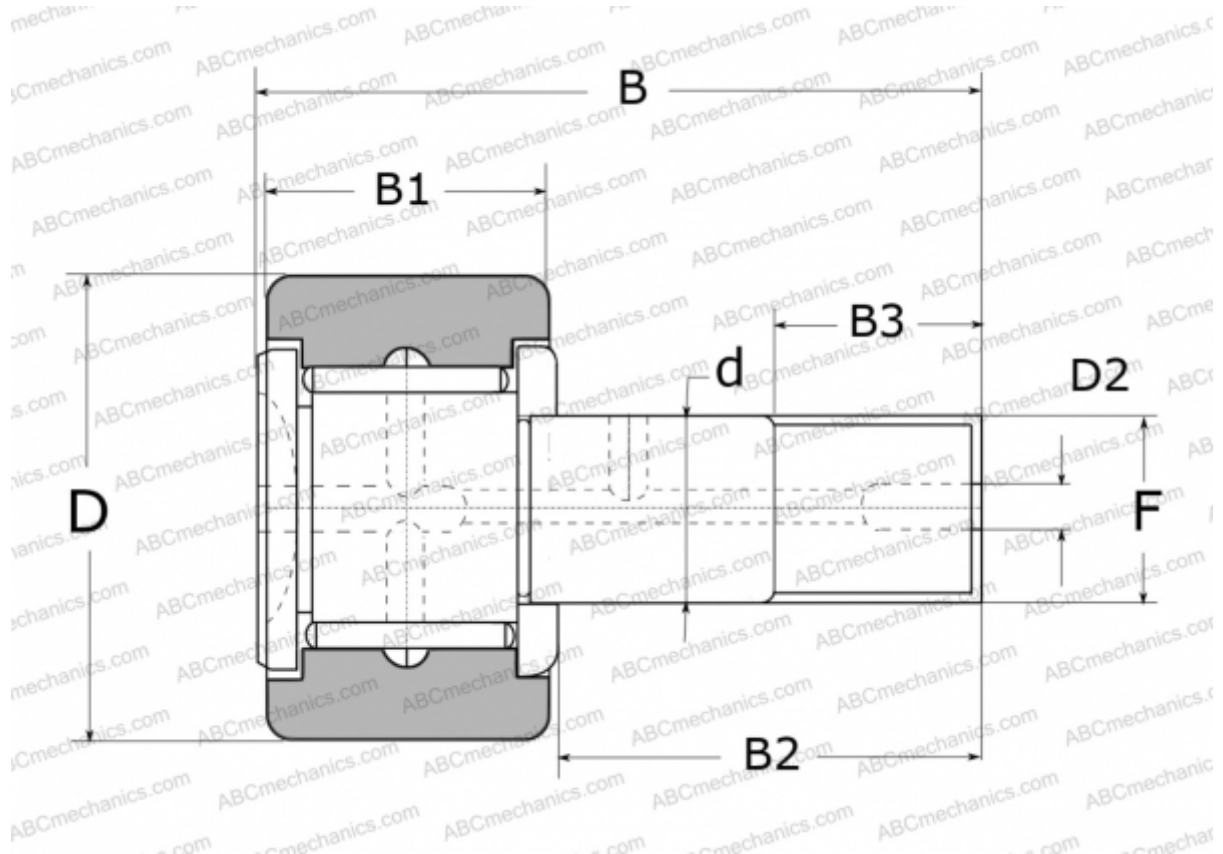


## FCJ35R NSK

Cam followers

TYPE: Roller bearings, Stud type track rollers, With axial guidance, with cage, outer ring has a spherical outside surface, type FCJ..R (NSK)



### Technical specification

#### DIMENSIONS, MM

|    |         |
|----|---------|
| d  | 16,000  |
| D  | 35,000  |
| D2 | 6,000   |
| B  | 52,000  |
| B1 | 18,000  |
| B2 | 32,500  |
| B3 | 17,000  |
| F  | M16X1.5 |

**WEIGHT, KG** 0,165

**MANUFACTURER** [NSK](#)

#### REPLACES

FCJ-35 R