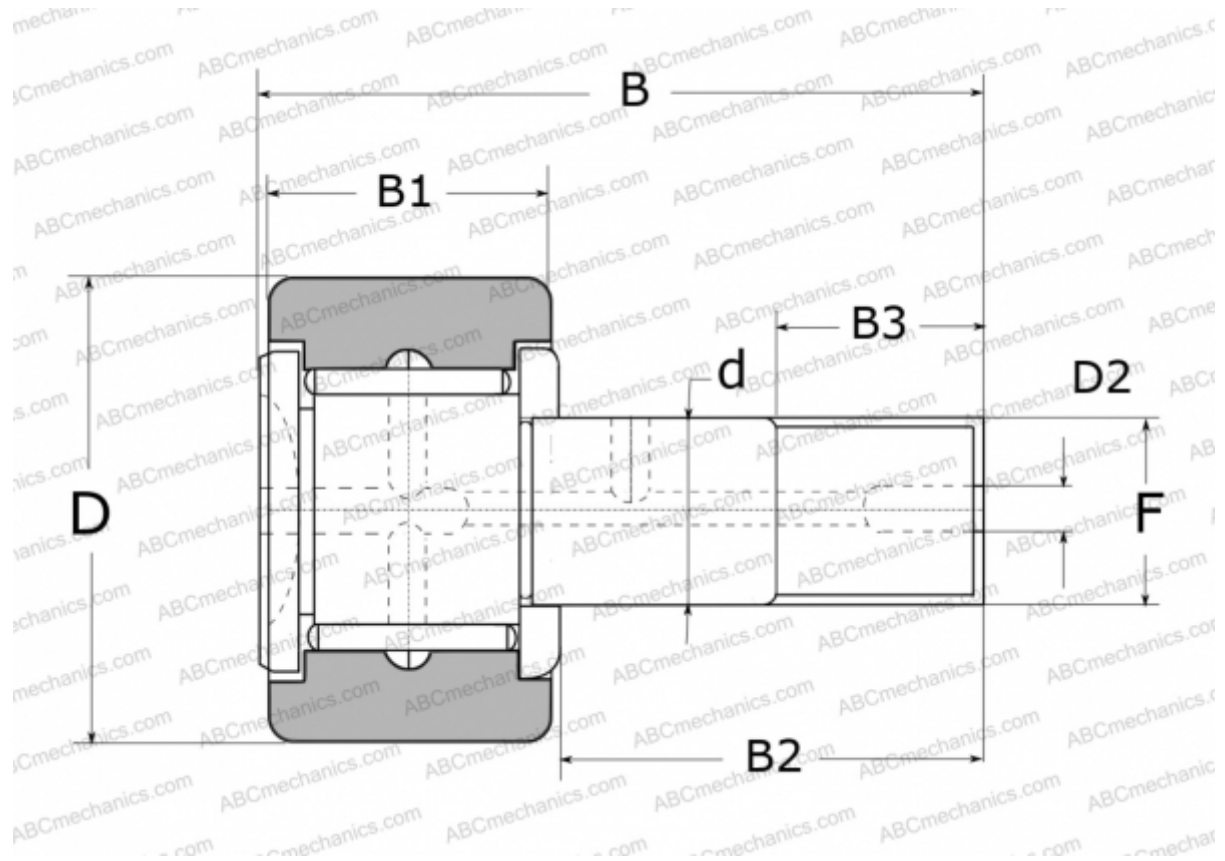


## FCJ12 NSK

Cam followers

TYPE: Roller bearings, Stud type track rollers, With axial guidance, with cage, outer ring has a cylindrical outside surface, type FCJ (NSK)



### Technical specification

#### DIMENSIONS, MM

d	4,000
D	12,000
B	20,000
B1	8,000
B2	11,000
B3	6,000
F	M4X0.7

**WEIGHT, KG** 0,008

**MANUFACTURER** [NSK](#)

#### REPLACES

FCJ-12