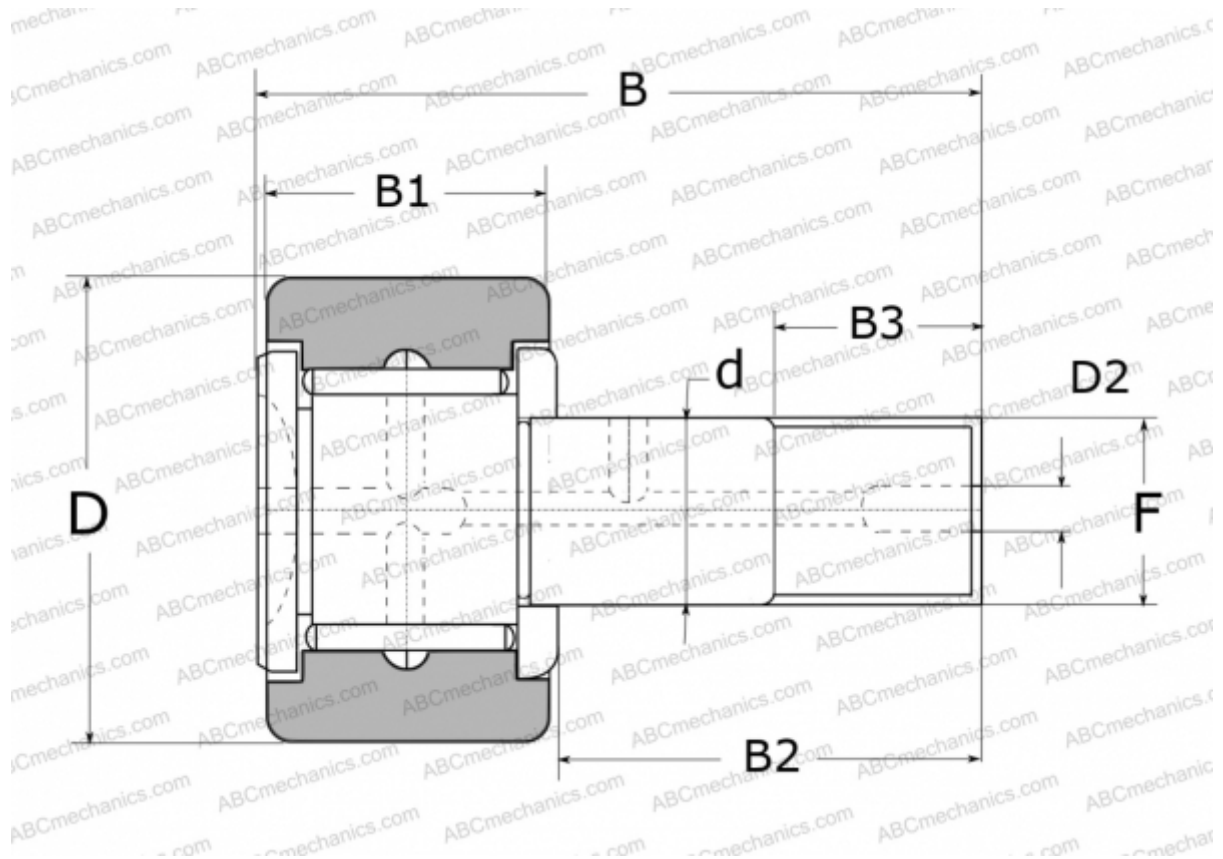


FCJ19 NSK

Cam followers

TYPE: Roller bearings, Stud type track rollers, With axial guidance, with cage, outer ring has a cylindrical outside surface, type FCJ (NSK)



Technical specification

DIMENSIONS, MM

| | |
|----|---------|
| d | 8,000 |
| D | 19,000 |
| D2 | 4,000 |
| B | 32,000 |
| B1 | 11,000 |
| B2 | 20,000 |
| B3 | 10,000 |
| F | M8X1.25 |

WEIGHT, KG 0,030

MANUFACTURER [NSK](#)

REPLACES

FCJ-19