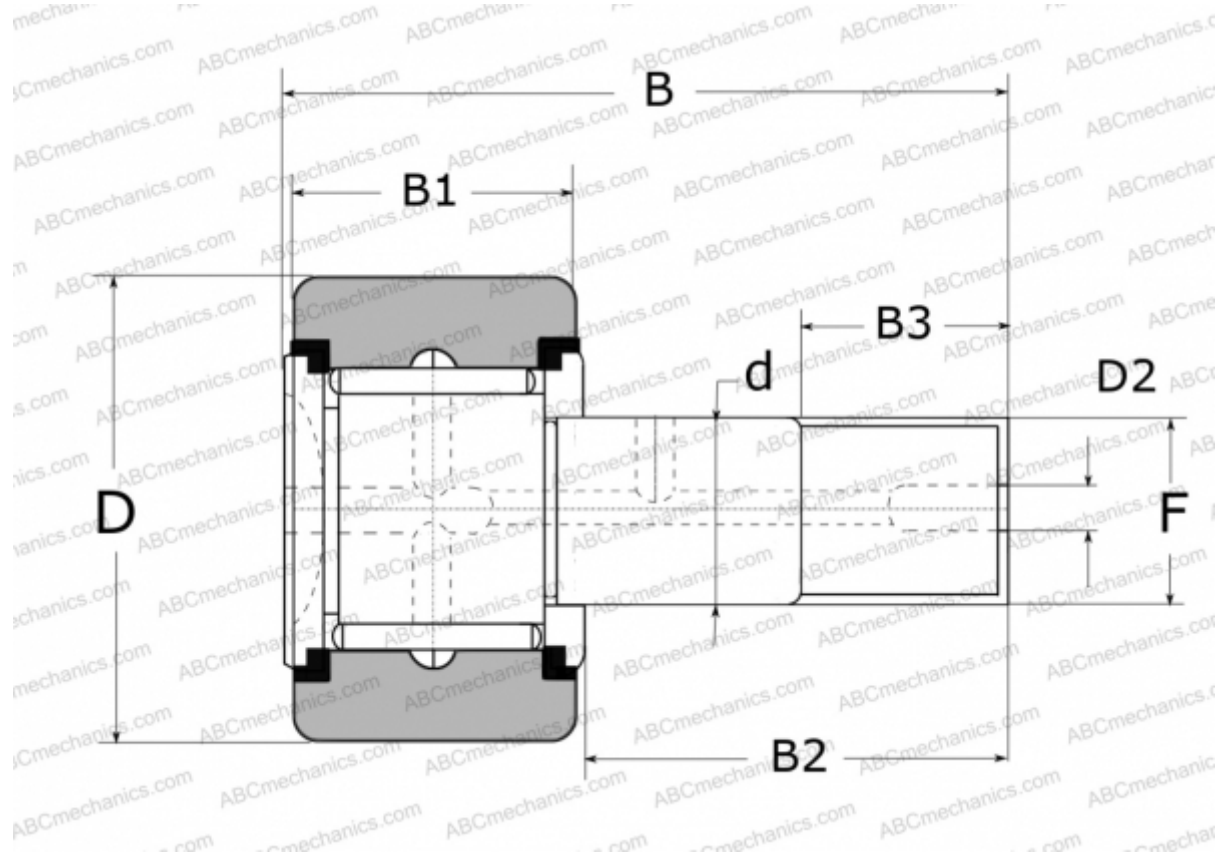


## FCJS80 NSK

Cam followers

TYPE: Roller bearings, Stud type track rollers, With axial guidance, with cage, with seal, with thrust washer, outer ring has a cylindrical outside surface, type FCJS (NSK)



### Technical specification

#### DIMENSIONS, MM

d	30,000
D	80,000
D2	8,000
B	100,000
B1	35,000
B2	63,000
B3	32,000
F	M30X1.5

**WEIGHT, KG** 1,550

**MANUFACTURER** [NSK](#)

#### REPLACES

FCJS-80