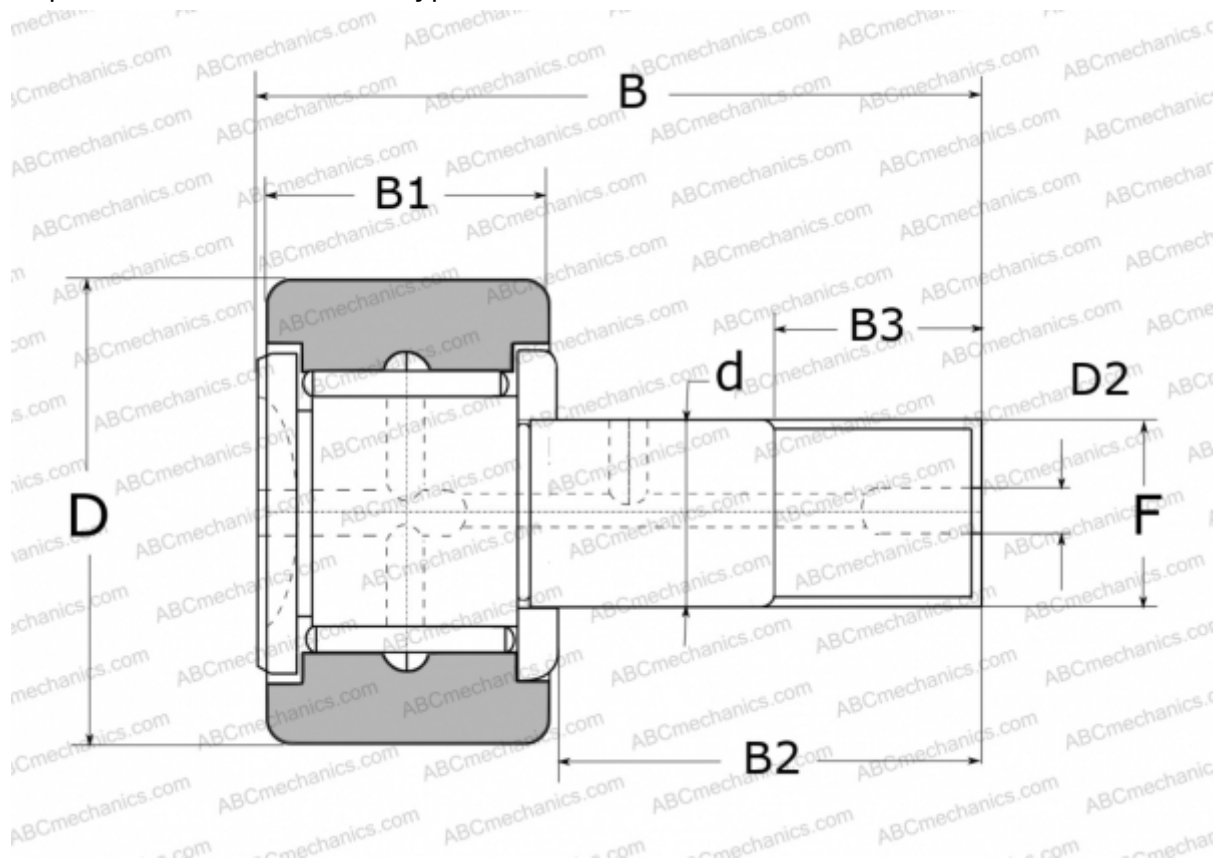


CR8-1R NSK

Cam followers

TYPE: Roller bearings, Stud type track rollers, With axial guidance, full complement bearing, outer ring has a spherical outside surface, type CR..R (NSK), inch size



Technical specification

DIMENSIONS, MM

d	4,826
D	12,700
D2	3,200
B	26,800
B1	9,520
B2	15,880
B3	6,400
F	10-32

WEIGHT, KG 0,010

MANUFACTURER [NSK](#)

REPLACES

CR-8-1 R