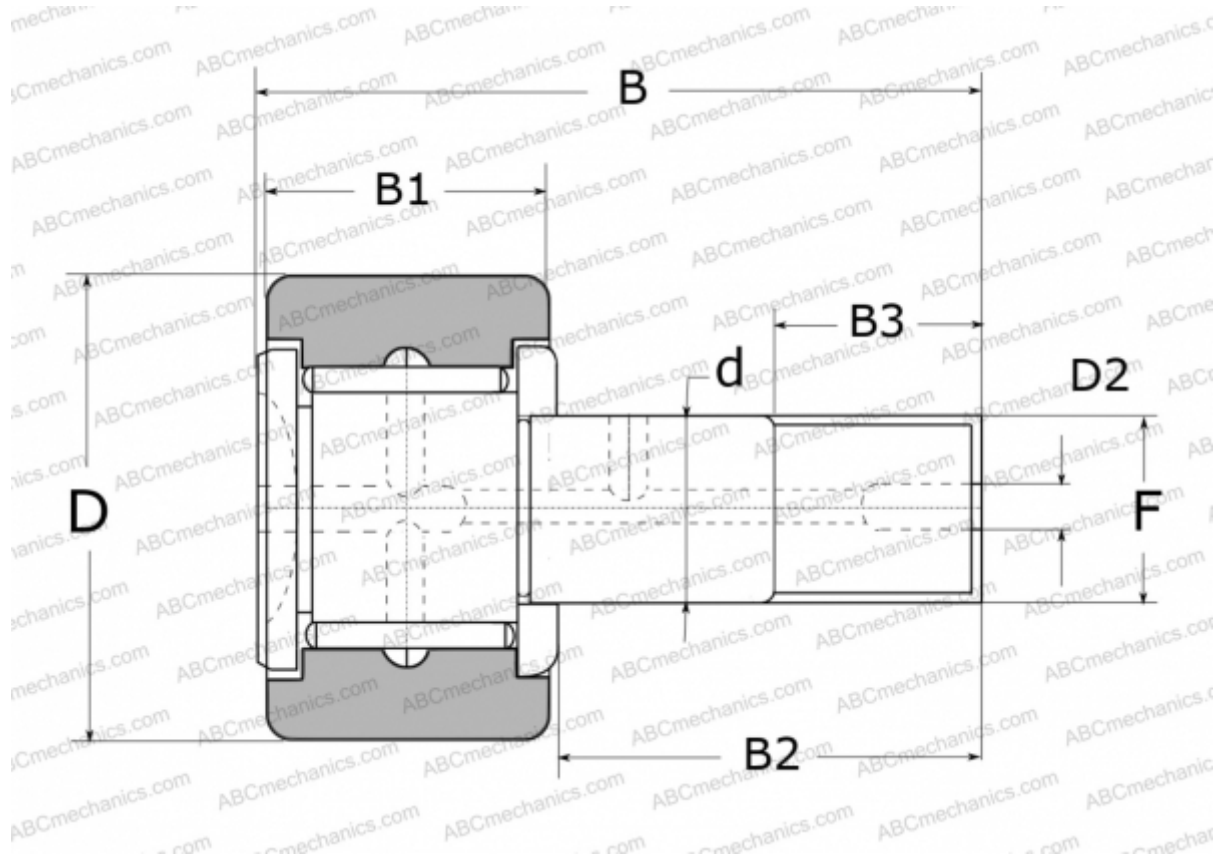


## CR10-1R NSK

Cam followers

TYPE: Roller bearings, Stud type track rollers, With axial guidance, full complement bearing, outer ring has a spherical outside surface, type CR..R (NSK), inch size



### Technical specification

#### DIMENSIONS, MM

d	6,350
D	15,875
D2	3,200
B	31,300
B1	11,130
B2	19,050
B3	7,900
F	1/4-28

**WEIGHT, KG** 0,020

**MANUFACTURER** [NSK](#)

#### REPLACES

CR-10-1 R