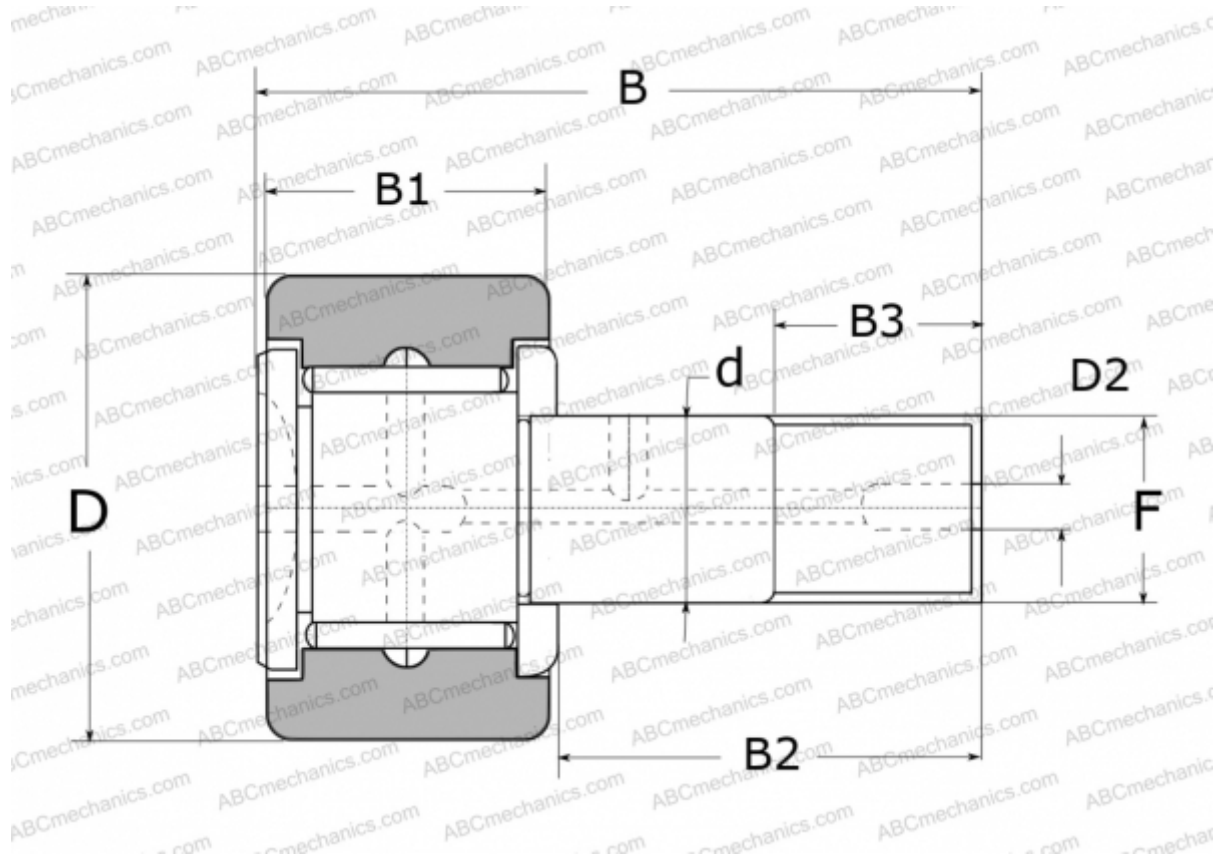


## CR48R NSK

Cam followers

TYPE: Roller bearings, Stud type track rollers, With axial guidance, full complement bearing, outer ring has a spherical outside surface, type CR..R (NSK), inch size



### Technical specification

#### DIMENSIONS, MM

d	31,750
D	76,200
D2	6,400
B	109,600
B1	44,450
B2	63,500
B3	31,800
F	1 1/4-12

**WEIGHT, KG** 1,900

**MANUFACTURER** [NSK](http://www.nsk.com)

#### REPLACES

CR-48 R