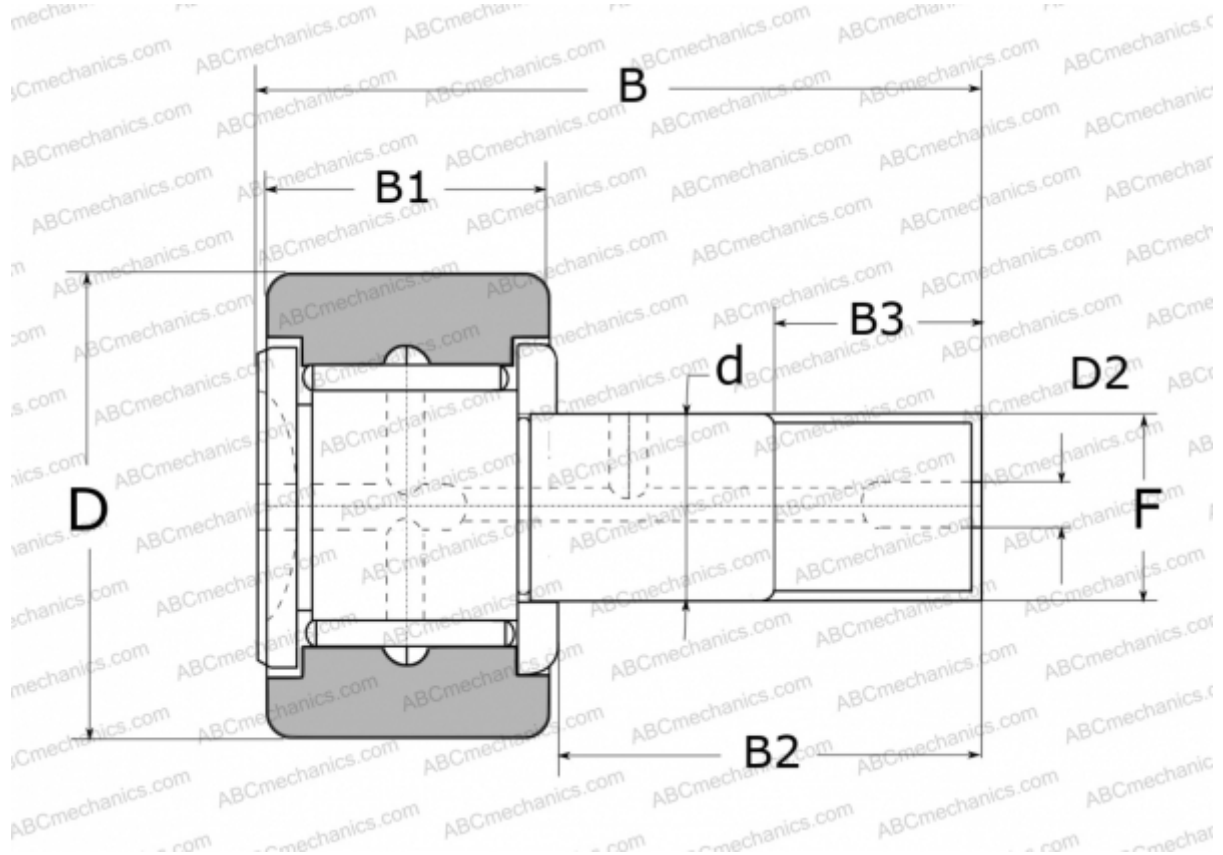


## CR8 NSK

Cam followers

TYPE: Roller bearings, Stud type track rollers, With axial guidance, full complement bearing, outer ring has a cylindrical outside surface, type CR (NSK), inch size



### Technical specification

#### DIMENSIONS, MM

d	4,826
D	12,700
D2	3,200
B	22,800
B1	8,740
B2	12,700
B3	6,400
F	10-32

**WEIGHT, KG** 0,010

**MANUFACTURER** [NSK](#)

#### REPLACES

CR-8