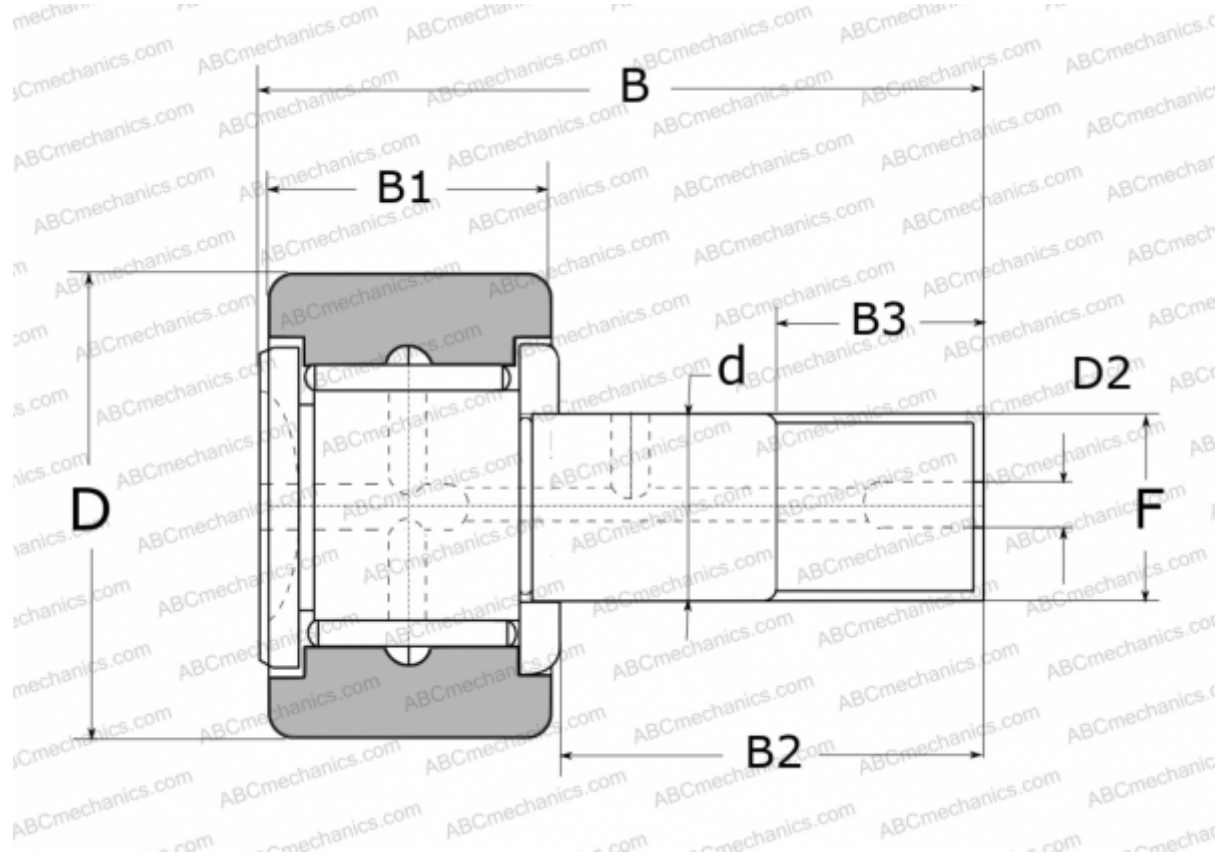


## CR36 NSK

Cam followers

TYPE: Roller bearings, Stud type track rollers, With axial guidance, full complement bearing, outer ring has a cylindrical outside surface, type CR (NSK), inch size



### Technical specification

#### DIMENSIONS, MM

d	22,225
D	57,150
D2	4,800
B	83,900
B1	31,750
B2	50,800
B3	25,400
F	7/8-14

**WEIGHT, KG** 0,755

**MANUFACTURER** [NSK](#)

#### REPLACES

CR-36