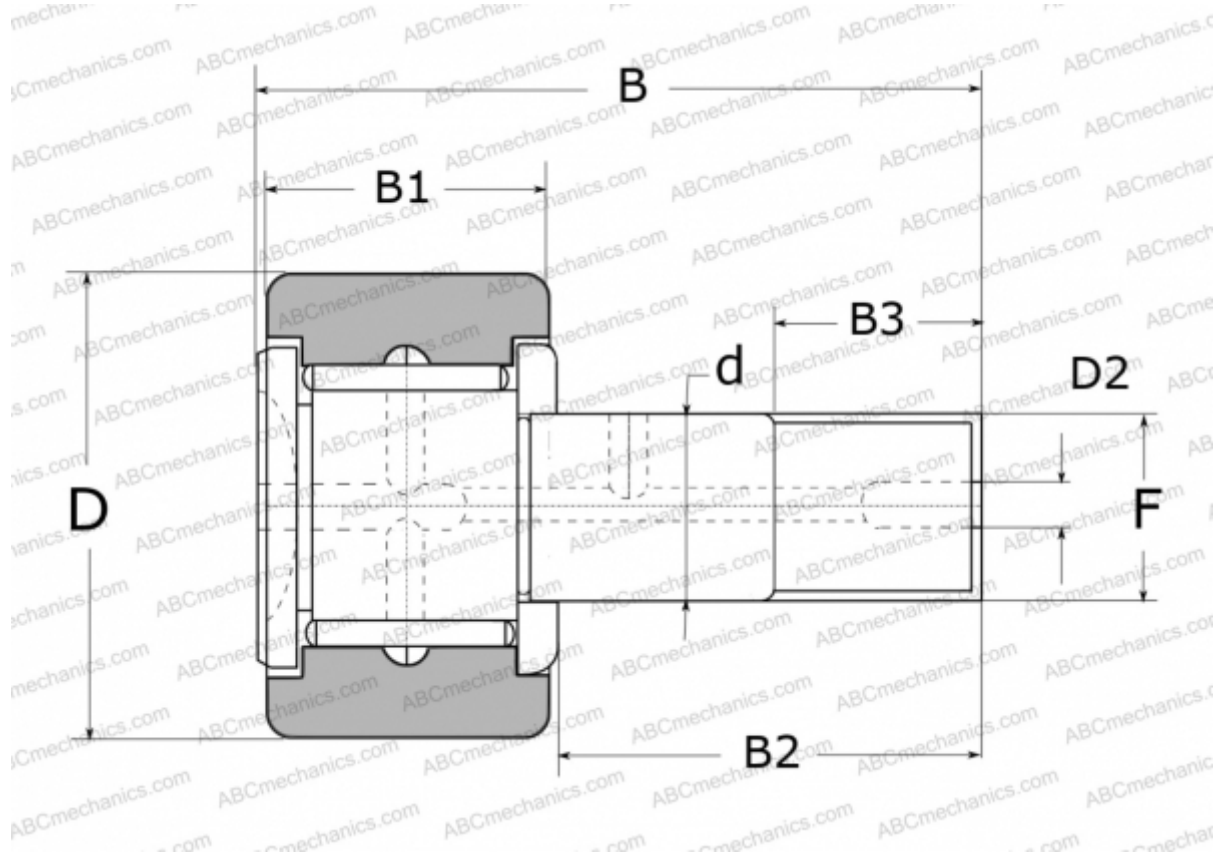


CR40 NSK

Cam followers

TYPE: Roller bearings, Stud type track rollers, With axial guidance, full complement bearing, outer ring has a cylindrical outside surface, type CR (NSK), inch size



Technical specification

DIMENSIONS, MM

d	25,400
D	63,500
D2	4,800
B	96,900
B1	38,100
B2	57,150
B3	28,600
F	1-14

WEIGHT, KG 1,150

MANUFACTURER [NSK](#)

REPLACES

CR-40