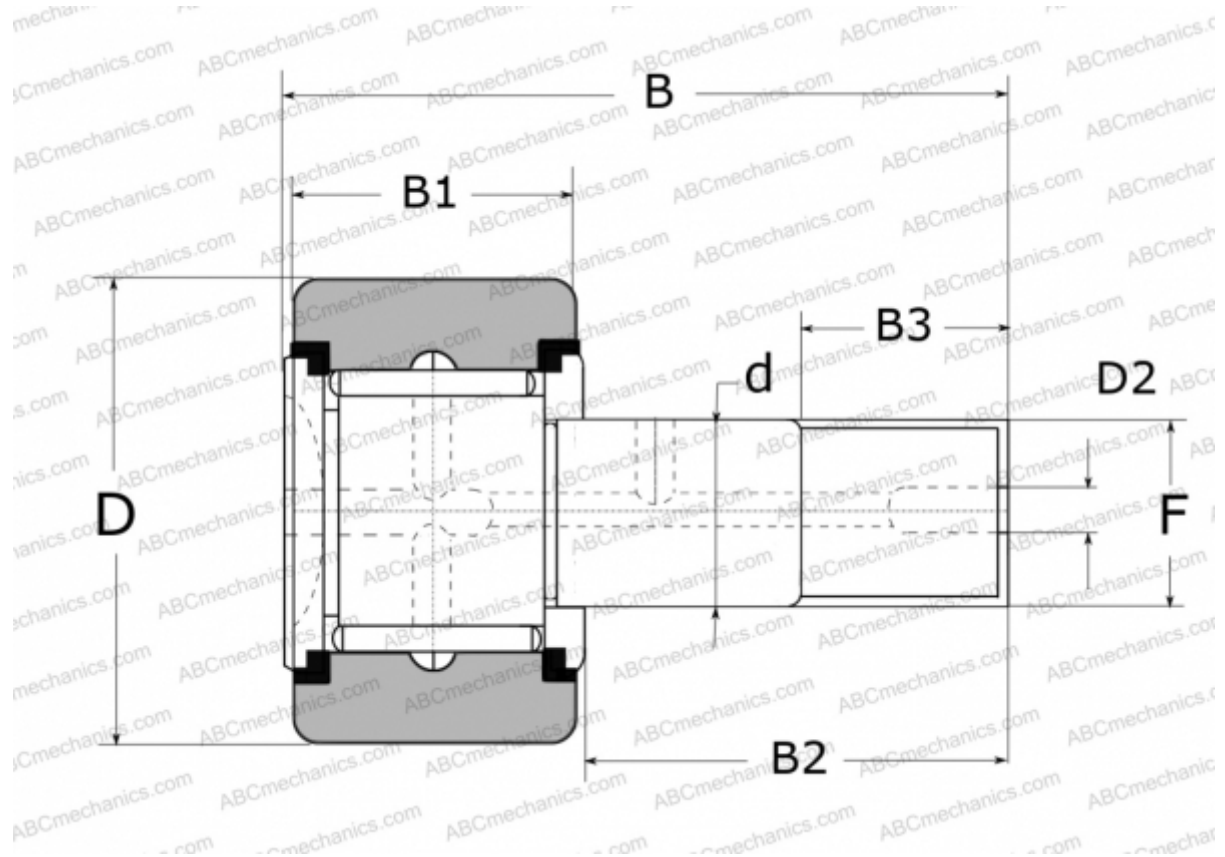


CRS10-1R NSK

Cam followers

TYPE: Roller bearings, Stud type track rollers, With axial guidance, full complement bearing, with seal, with thrust washer, outer ring has a spherical outside surface, type CRS..R (NSK), inch size



Technical specification

DIMENSIONS, MM

d	6,350
D	15,875
D2	3,200
B	31,300
B1	11,130
B2	19,050
B3	7,900
F	1/4-28

WEIGHT, KG 0,020

MANUFACTURER [NSK](#)

REPLACES

CRS-10-1 R